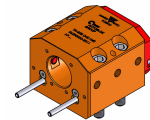


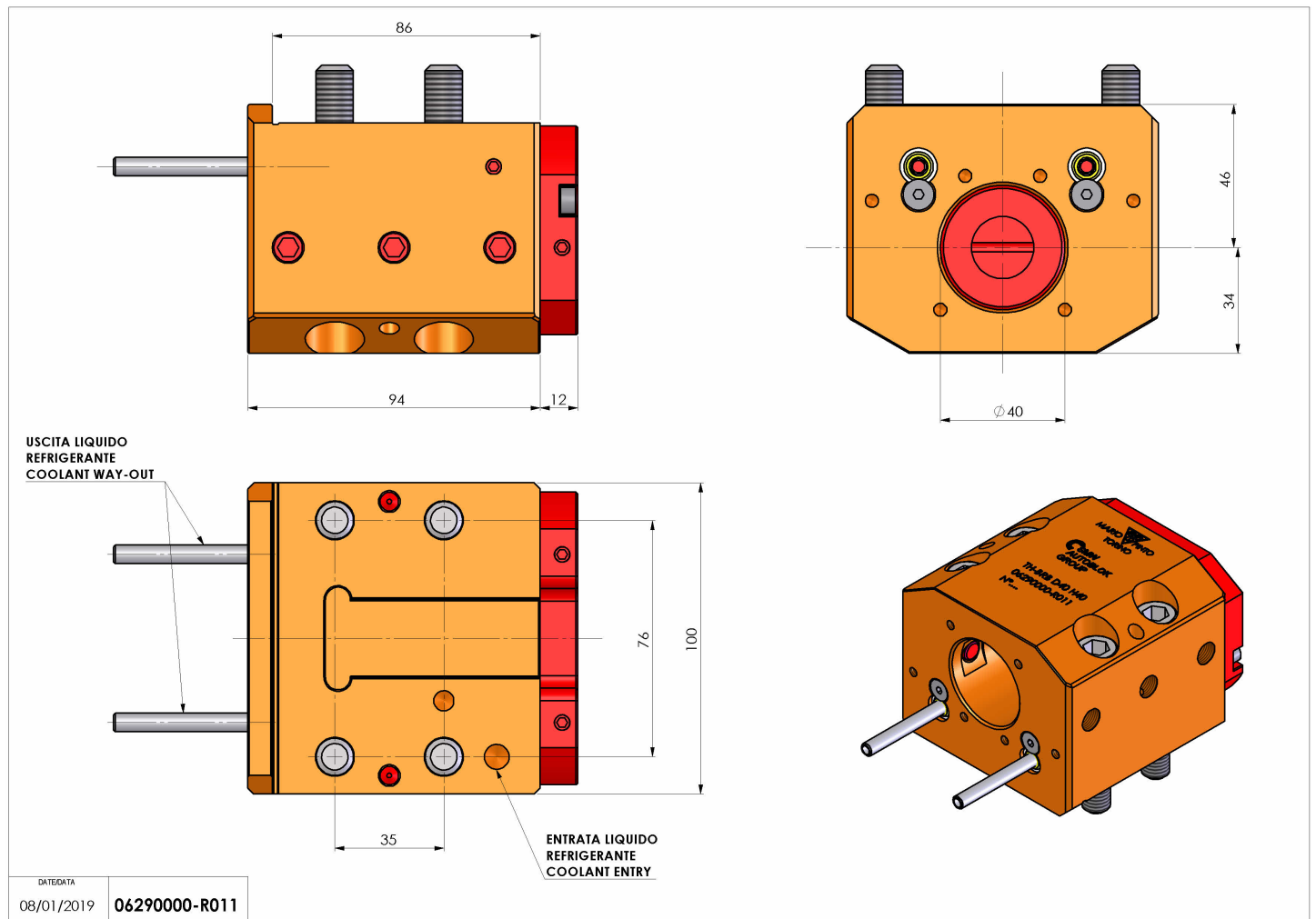
## 06290000 - TH-BRB D40 H40

<b>Type</b>	TH-BRB Boring bar holder
<b>Mounting</b>	CMZ FIXING ATTACK
<b>Tool output</b>	Boring Bar Holder 40
<b>Coolant</b>	External / Internal coolant
<b>H [mm]</b>	40



<b>Accessories</b>	N.A.
<b>Notes</b>	N.A.
<b>Mounting tips</b>	Not suitable for every application, please check

Always check live tool dimensions on the turret



DATE/GRA	08/01/2019
PART NUMBER	06290000-R011

Subject to technical changes