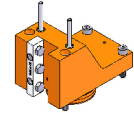


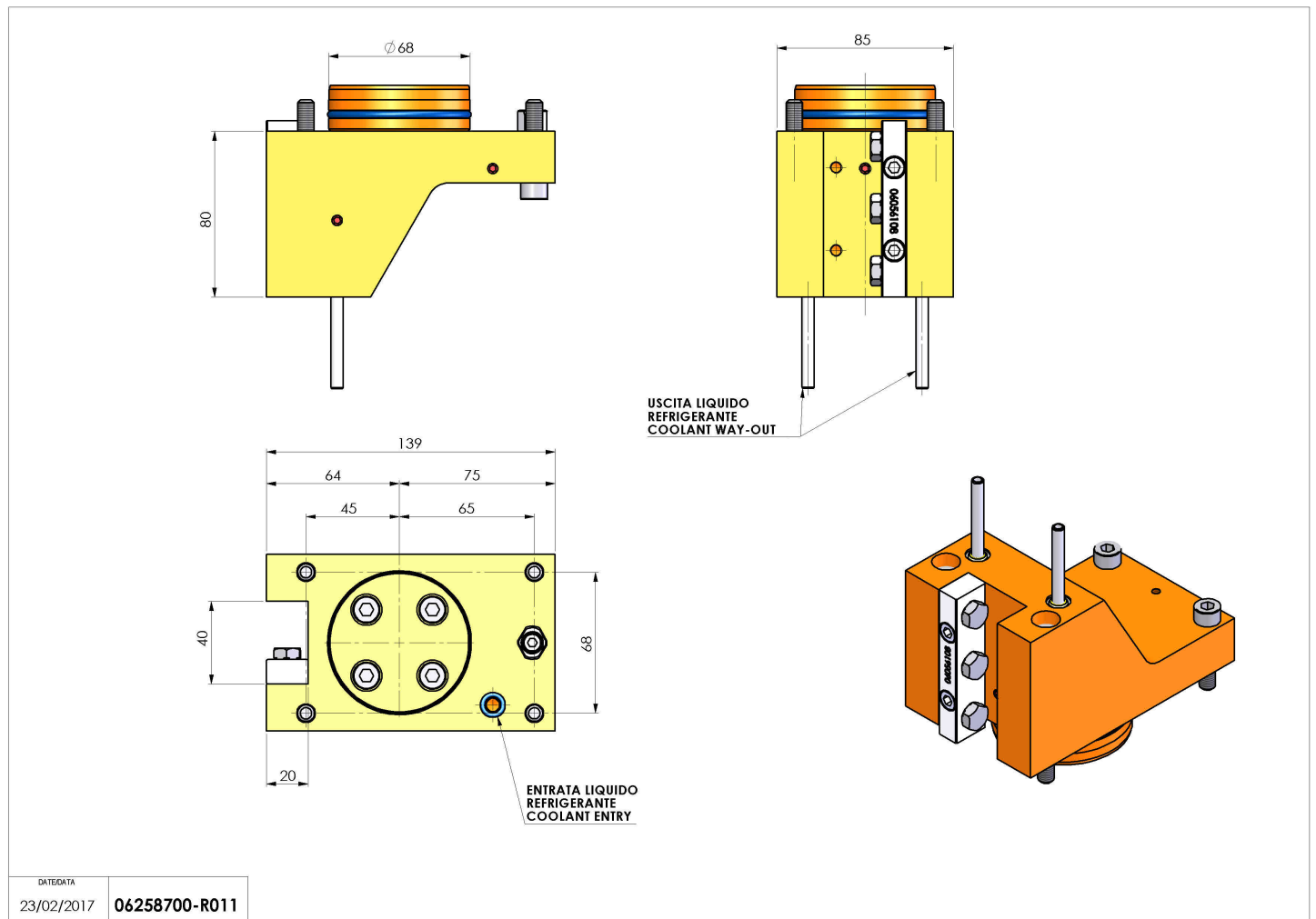
## 06258700 - TH-RAD D68 H80 UT20X20 MZ

|                    |                                 |
|--------------------|---------------------------------|
| <b>Type</b>        | TH-RAD<br>Radial Tool holder    |
| <b>Mounting</b>    | CYLINDRICAL SHANK 68            |
| <b>Tool output</b> | Radial Square Tool Holder 20x20 |
| <b>Coolant</b>     | External coolant                |
| <b>H [mm]</b>      | 80                              |



|                      |  |
|----------------------|--|
| <b>Accessories</b>   | N.A.   |
| <b>Notes</b>         | N.A.   |
| <b>Mounting tips</b> | Not suitable for every application, please check |

Always check live tool dimensions on the turret



|             |               |
|-------------|---------------|
| DATE/GATA   | 23/02/2017    |
| PART NUMBER | 06258700-R011 |

Subject to technical changes