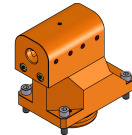


06258100 - TH-BRB D68 D20 DP L100 RF-C H100 SPC

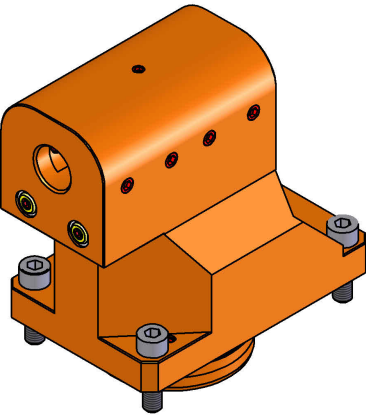
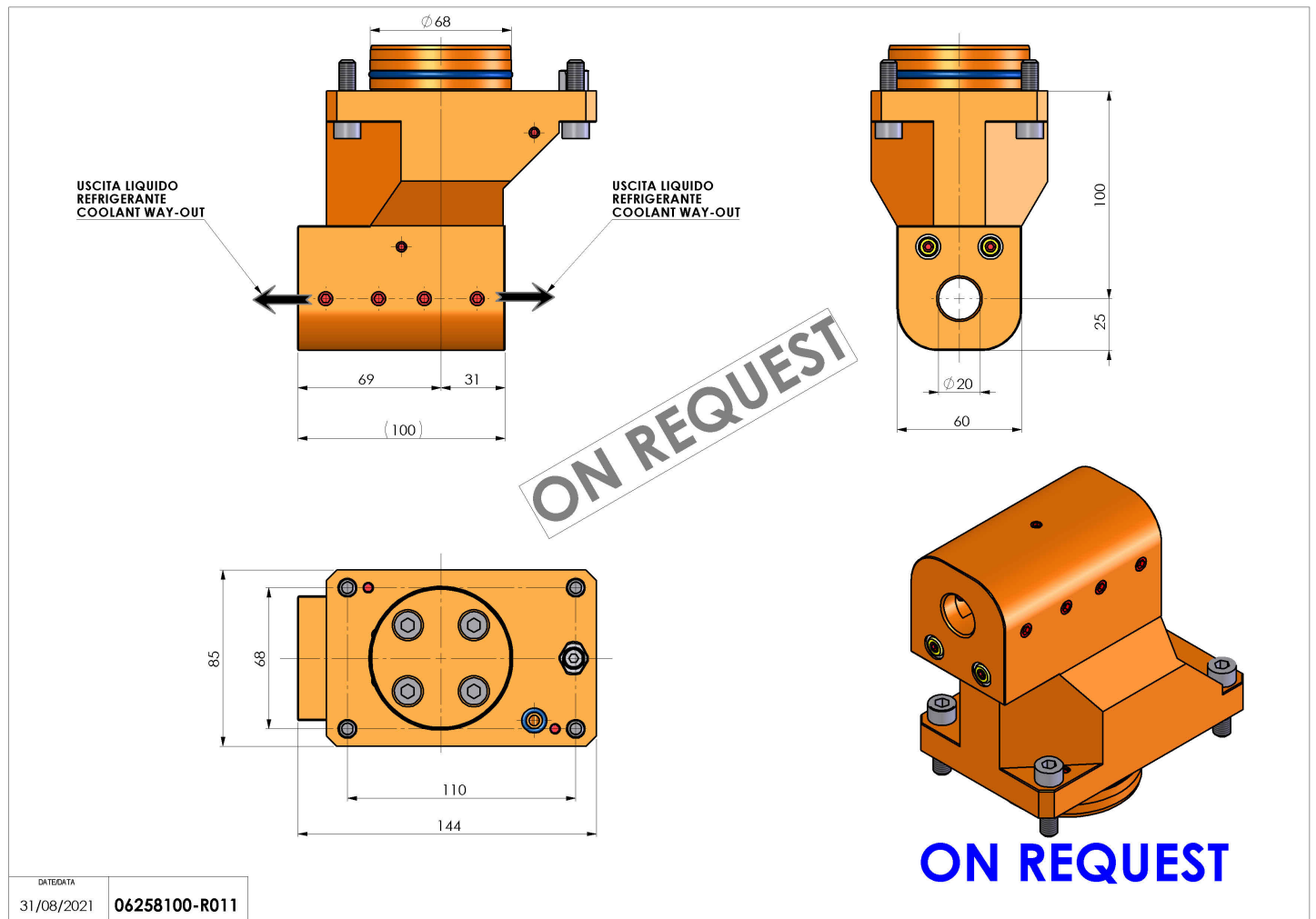
Type	TH-BRB Boring bar holder
Mounting	CYLINDRICAL SHANK 68
Tool output	Boring Bar Holder 20
Coolant	External / Internal coolant
H [mm]	100



ON REQUEST

Accessories	N.A.
Notes	N.A.
Mounting tips	Not suitable for every application, please check

Always check live tool dimensions on the turret



ON REQUEST

DATE/DATE	31/08/2021
06258100-R011	

Subject to technical changes