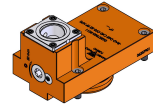


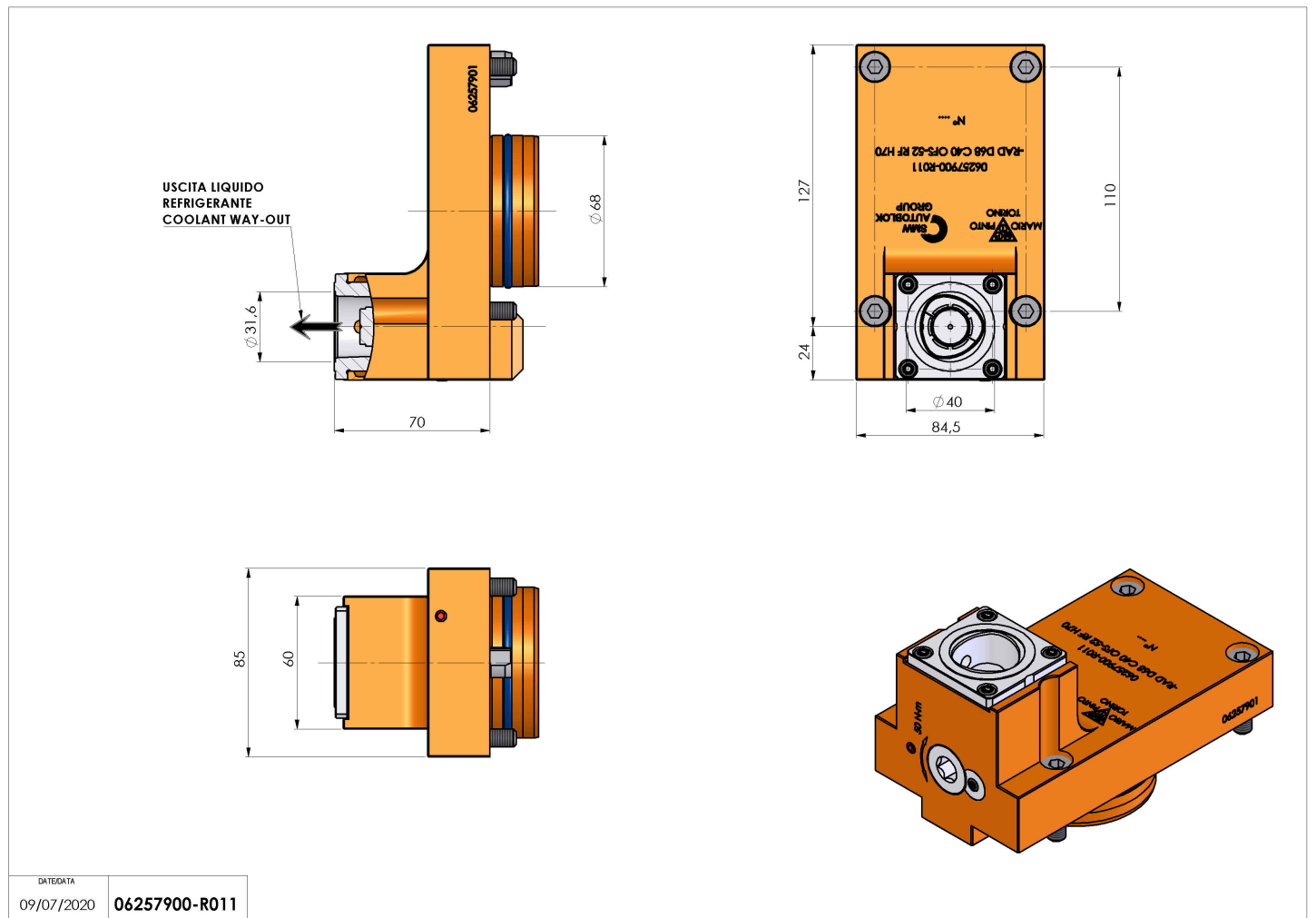
## 06257900 - TH-RAD D68 C40 OFS-52 RF H70

|             |                                 |
|-------------|---------------------------------|
| Type        | TH-RAD<br>Radial Tool holder    |
| Mounting    | CYLINDRICAL SHANK 68            |
| Tool output | Polygonal shank C40 ISO 26623-1 |
| Coolant     | Internal coolant                |
| H [mm]      | 70                              |



|               |  |
|---------------|--|
| Accessories   | N.A.   |
| Notes         | N.A.   |
| Mounting tips | Not suitable for every application, please check |

Always check live tool dimensions on the turret



|           |               |
|-----------|---------------|
| DATE/DATE | 09/07/2020    |
|           | 06257900-R011 |

Subject to technical changes