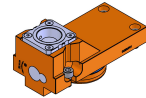


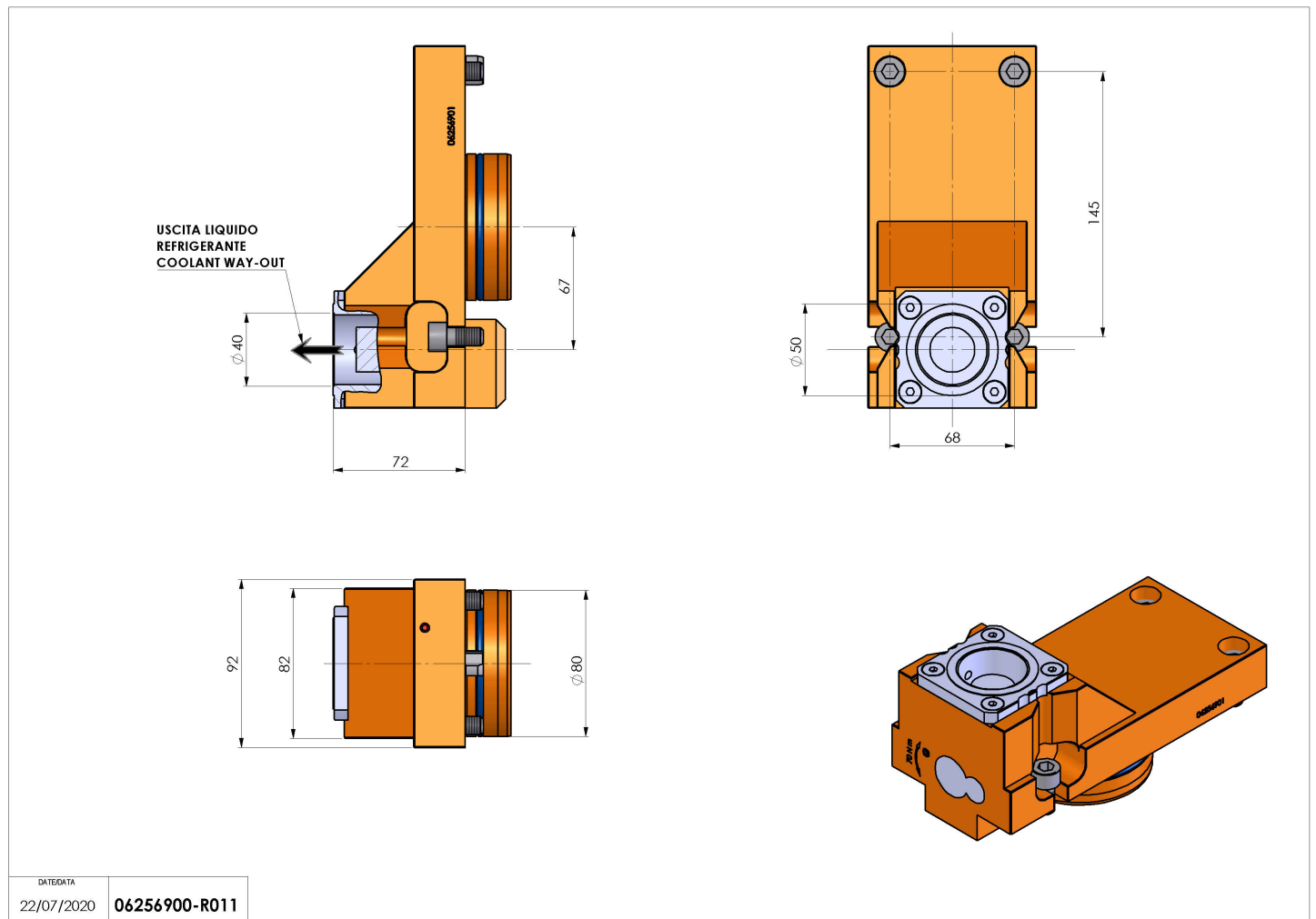
06256900 - TH-RAD D80 C50 RF H70

Type	TH-RAD Radial Tool holder
Mounting	CYLINDRICAL SHANK 80
Tool output	Polygonal shank C50 ISO 26623-1
Coolant	Internal coolant
H [mm]	70



Accessories	N.A.
Notes	N.A.
Mounting tips	Not suitable for every application, please check

Always check live tool dimensions on the turret



DATE/GATA	22/07/2020
PART NUMBER	06256900-R011

Subject to technical changes