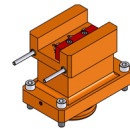


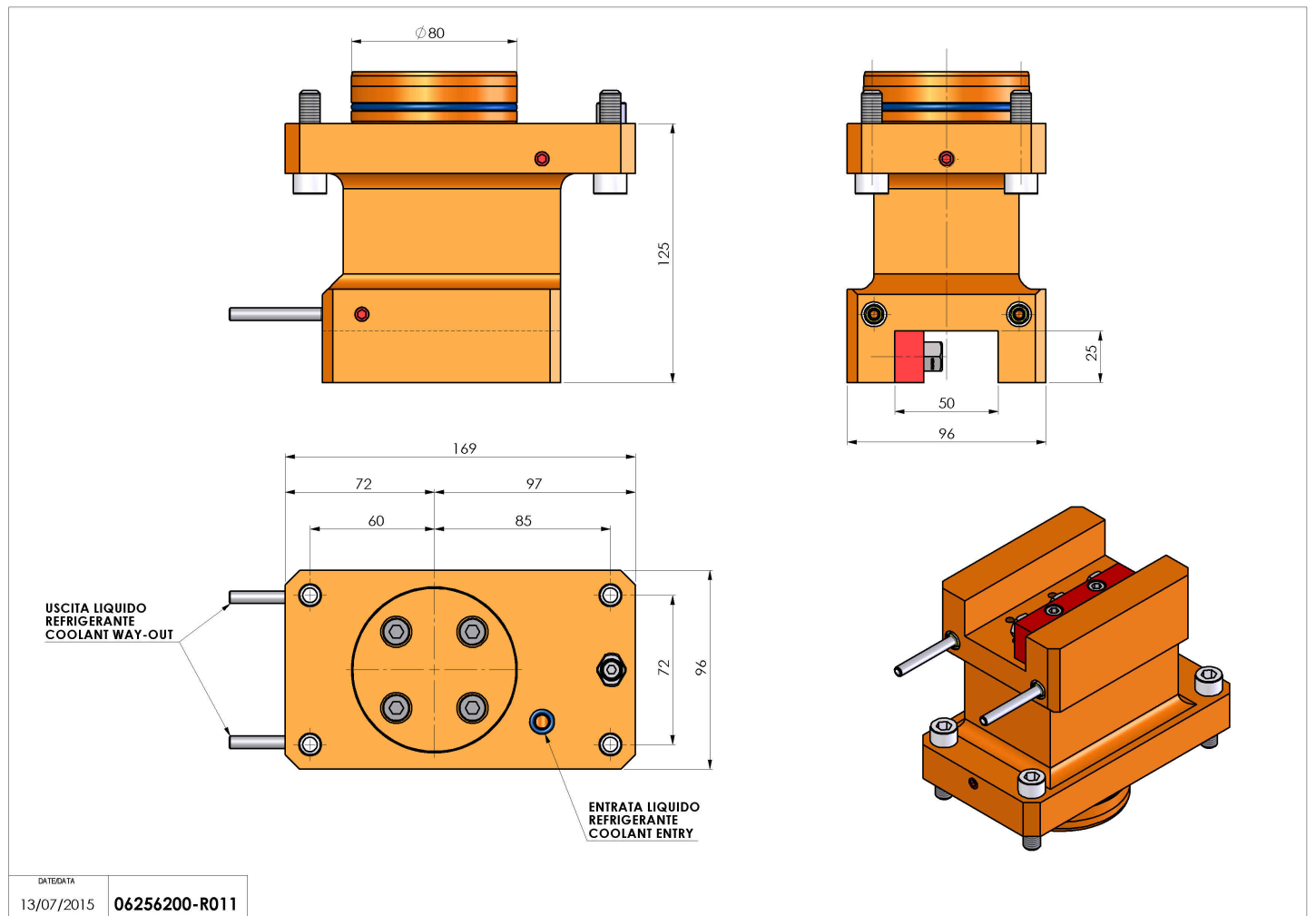
06256200 - TH-AX D80 H125 DX-SX MZ

Type	TH-AX Axial Tool holder
Mounting	CYLINDRICAL SHANK 80
Tool output	Axial Square Tool Holder 25x25
Coolant	External coolant
H [mm]	125



Accessories	N.A.
Notes	N.A.
Mounting tips	Not suitable for every application, please check

Always check live tool dimensions on the turret



Subject to technical changes