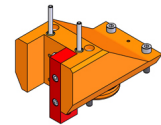


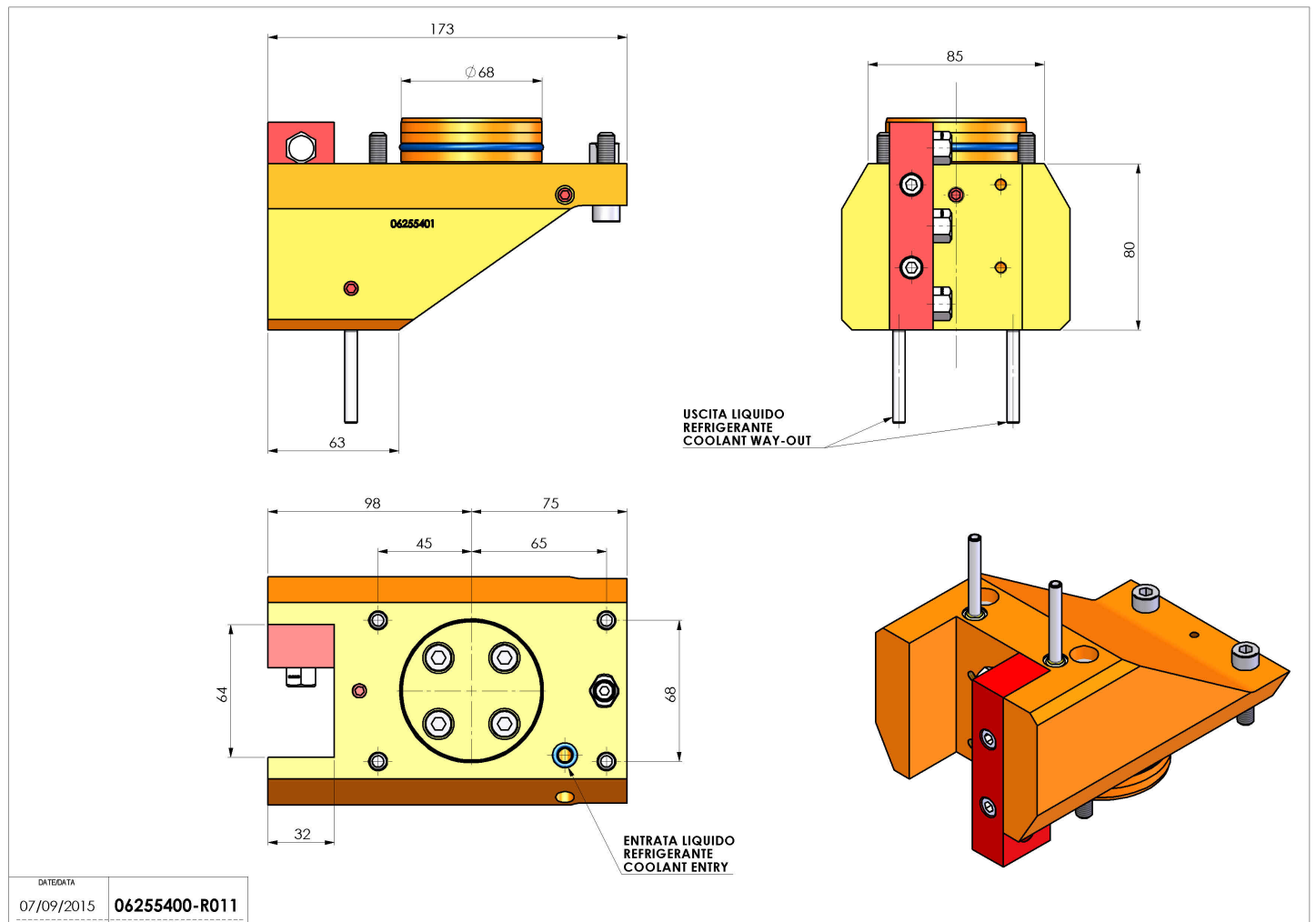
# 06255400 - TH-RAD D68 H80 UT32X32 DX-SXMZ

<b>Type</b>	TH-RAD Radial Tool holder
<b>Mounting</b>	CYLINDRICAL SHANK 68
<b>Tool output</b>	Radial Square Tool Holder 32x32
<b>Coolant</b>	External coolant
<b>H [mm]</b>	80



<b>Accessories</b>	N.A.
<b>Notes</b>	N.A.
<b>Mounting tips</b>	Not suitable for every application, please check

Always check live tool dimensions on the turret



Subject to technical changes