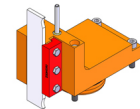


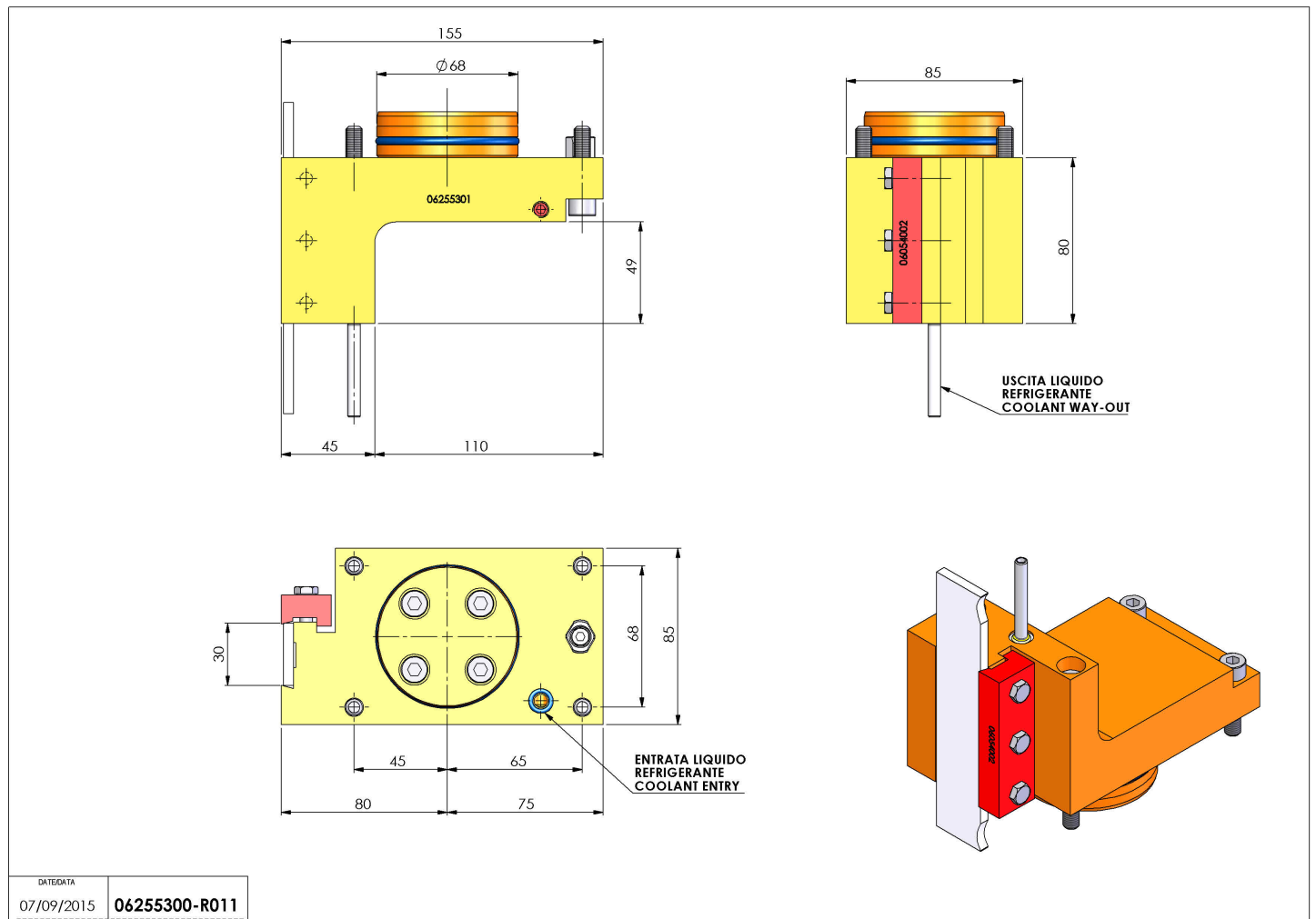
# 06255300 - TH-CUT D68 SP5 H80 MZ

Type	TH-CUT Cutting holder
Mounting	CYLINDRICAL SHANK 68
Tool output	Cut Off Holder 32
Coolant	External coolant
H [mm]	80



Accessories	N.A.
Notes	N.A.
Mounting tips	Not suitable for every application, please check

Always check live tool dimensions on the turret



Subject to technical changes