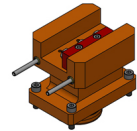
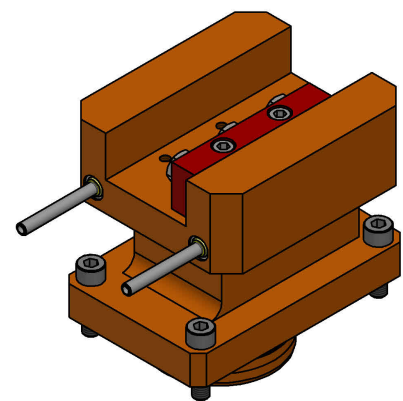
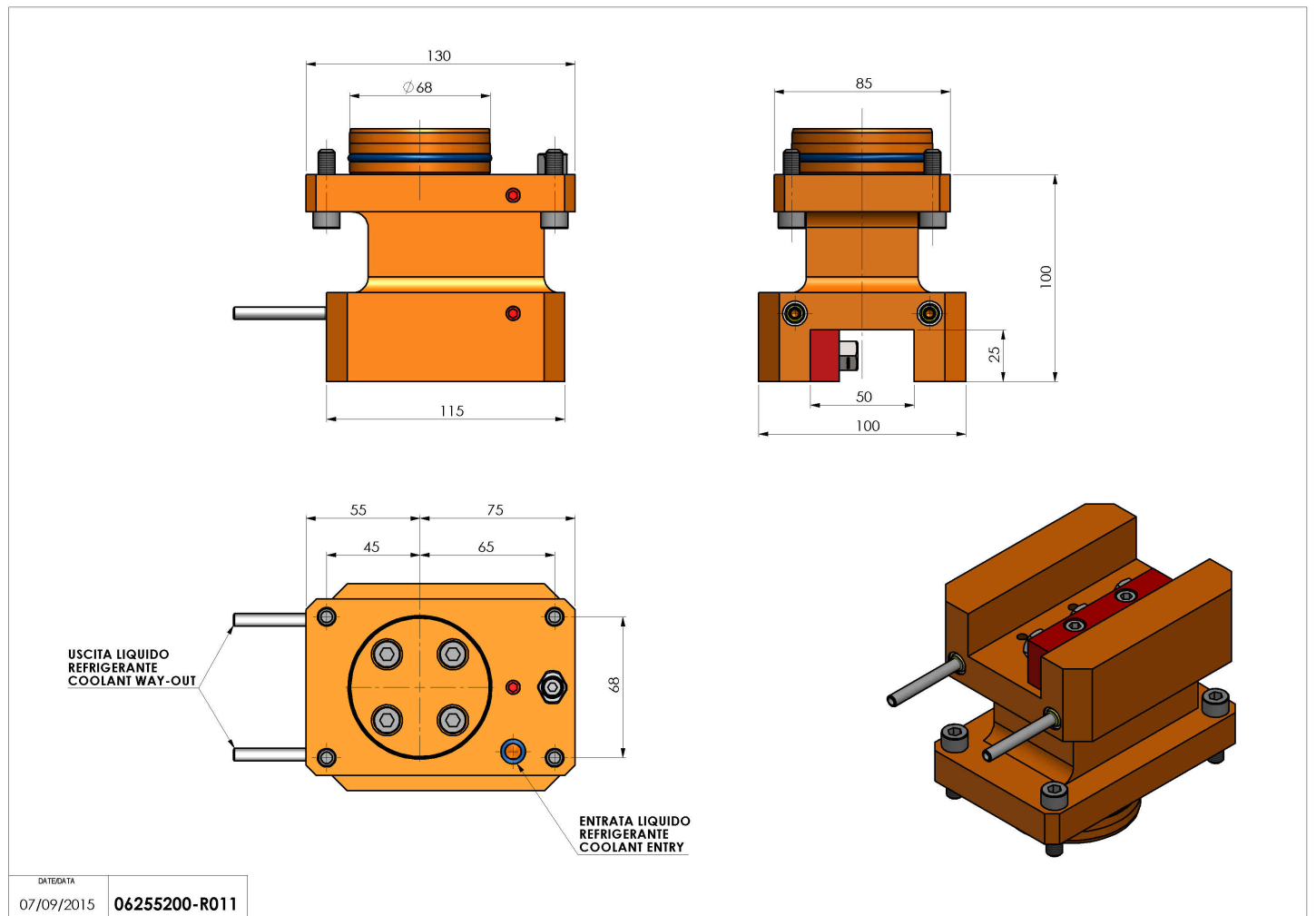


06255200 - TH-AX D68 H100 Q25 L115 MZ

Type	TH-AX Axial Tool holder
Mounting	CYLINDRICAL SHANK 68
Tool output	Axial Square Tool Holder 25x25
Coolant	External coolant
H [mm]	100
Accessories	N.A.
Notes	N.A.
Mounting tips	Not suitable for every application, please check



Always check live tool dimensions on the turret



Subject to technical changes