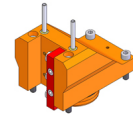
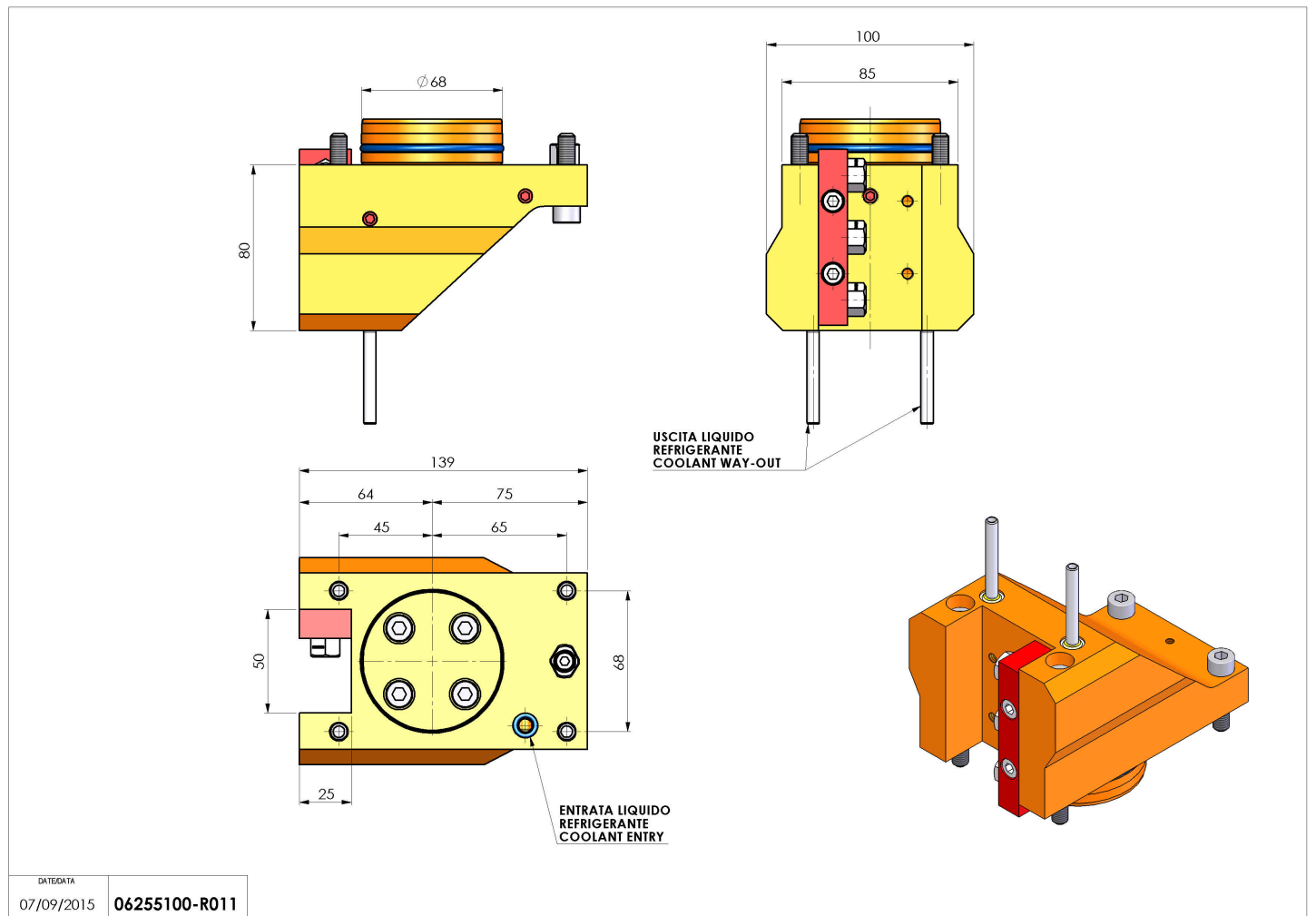


06255100 - TH-RAD D68 H80 DX-SX MZ

Type	TH-RAD Radial Tool holder
Mounting	CYLINDRICAL SHANK 68
Tool output	Radial Square Tool Holder 25x25
Coolant	External coolant
H [mm]	80
Accessories	N.A.
Notes	N.A.
Mounting tips	Not suitable for every application, please check



Always check live tool dimensions on the turret



DATE/DATE	07/09/2015	06255100-R011
-----------	------------	---------------

Subject to technical changes