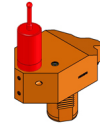


## 06253300 - TH-RENISHAW-25.4 VDI50 MZ

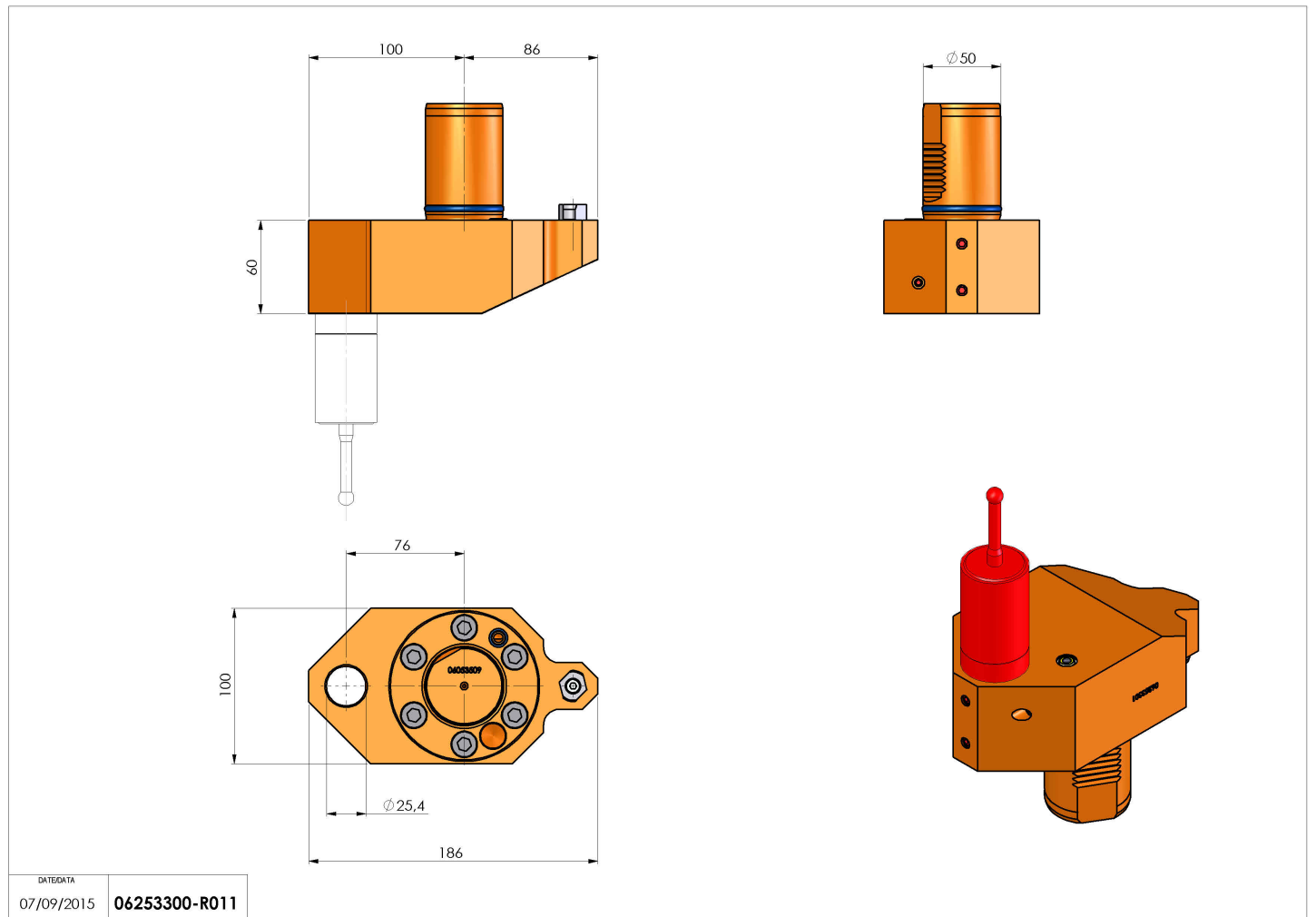
Type	TH Tool holder
Mounting	VDI 50
Tool output	Holder Presetting RENISHAW 25,4
Coolant	N.A.
H [mm]	60



Accessories	N.A.
Notes	N.A.
Mounting tips	Not suitable for every application, please check

**ATTENZIONE: VERIFICARE L'ORIENTAMENTO DELLA DENTATURA VDI**

Always check live tool dimensions on the turret



Subject to technical changes