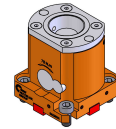
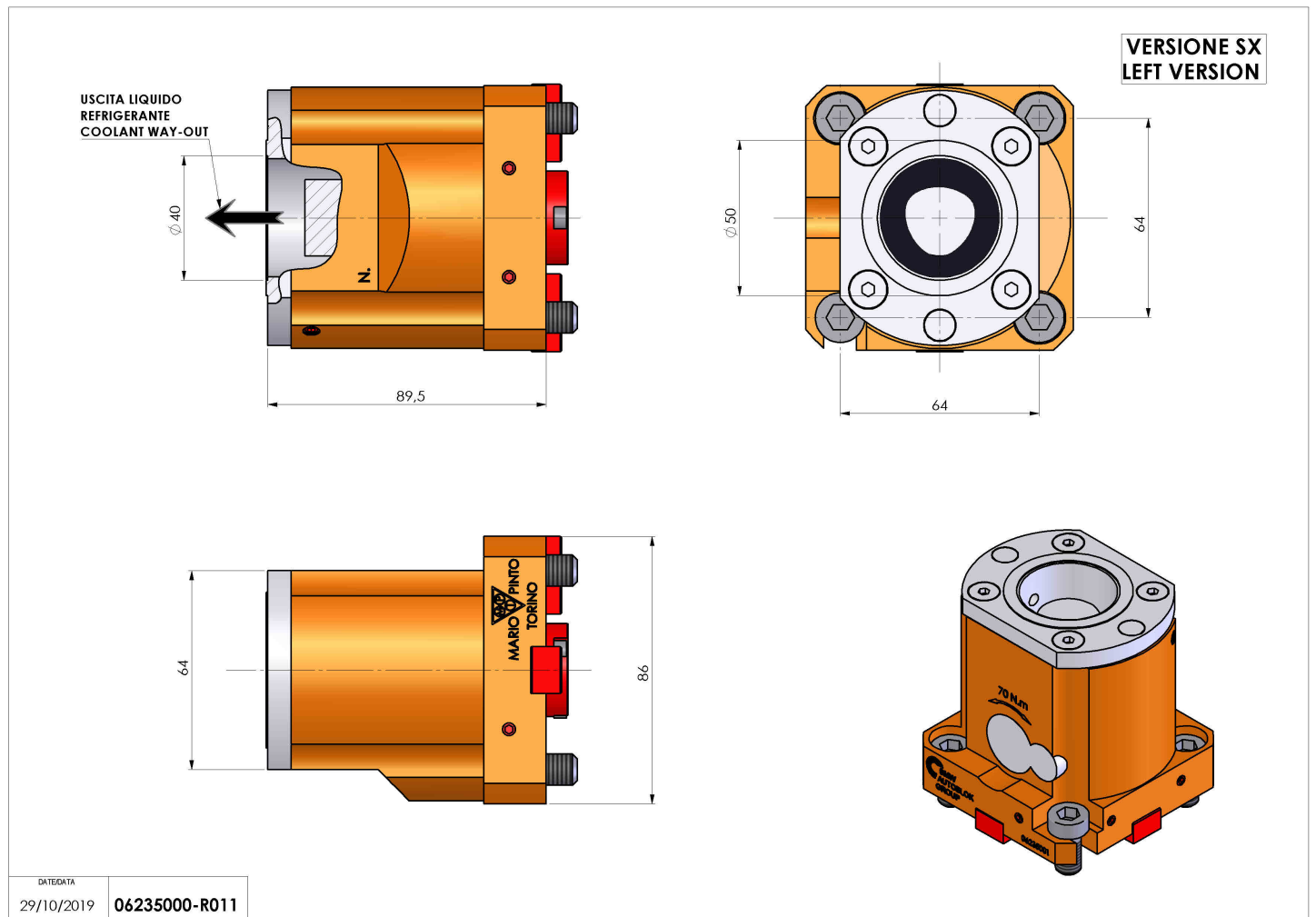


## 06235000 - TH-AX BMT55EM C50 L H90

<b>Type</b>	TH-AX Axial Tool holder
<b>Mounting</b>	BMT 55 EM
<b>Tool output</b>	Polygonal shank C50 ISO 26623-1
<b>Coolant</b>	Internal coolant
<b>H [mm]</b>	90
<b>Accessories</b>	N.A.
<b>Notes</b>	N.A.
<b>Mounting tips</b>	Not suitable for every application, please check



Always check live tool dimensions on the turret



DATE/DATE	06235000-R011
29/10/2019	

Subject to technical changes