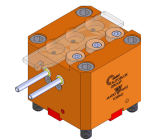


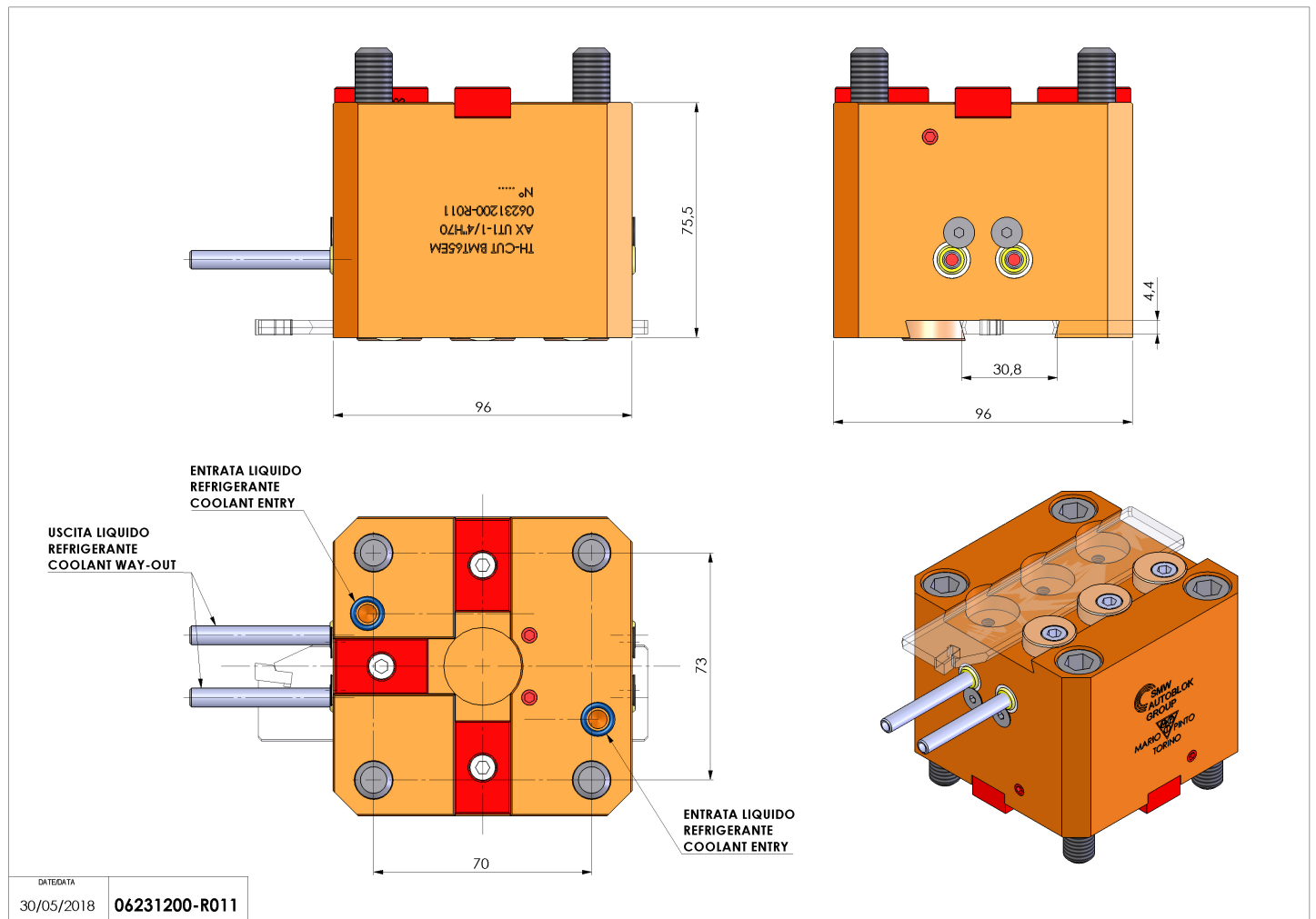
# 06231200 - TH-CUT BMT65EM AX UT1-1/4" H70

<b>Type</b>	TH-CUT Cutting holder
<b>Mounting</b>	BMT 65 EM
<b>Tool output</b>	Cut Off Holder 1-1/4"(32)
<b>Coolant</b>	External coolant
<b>H [mm]</b>	70



<b>Accessories</b>	N.A.
<b>Notes</b>	N.A.
<b>Mounting tips</b>	Not suitable for every application, please check

Always check live tool dimensions on the turret



DATE/DATE	30/05/2018	06231200-R011
-----------	------------	---------------

Subject to technical changes