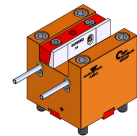


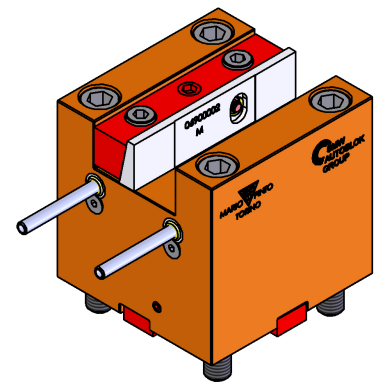
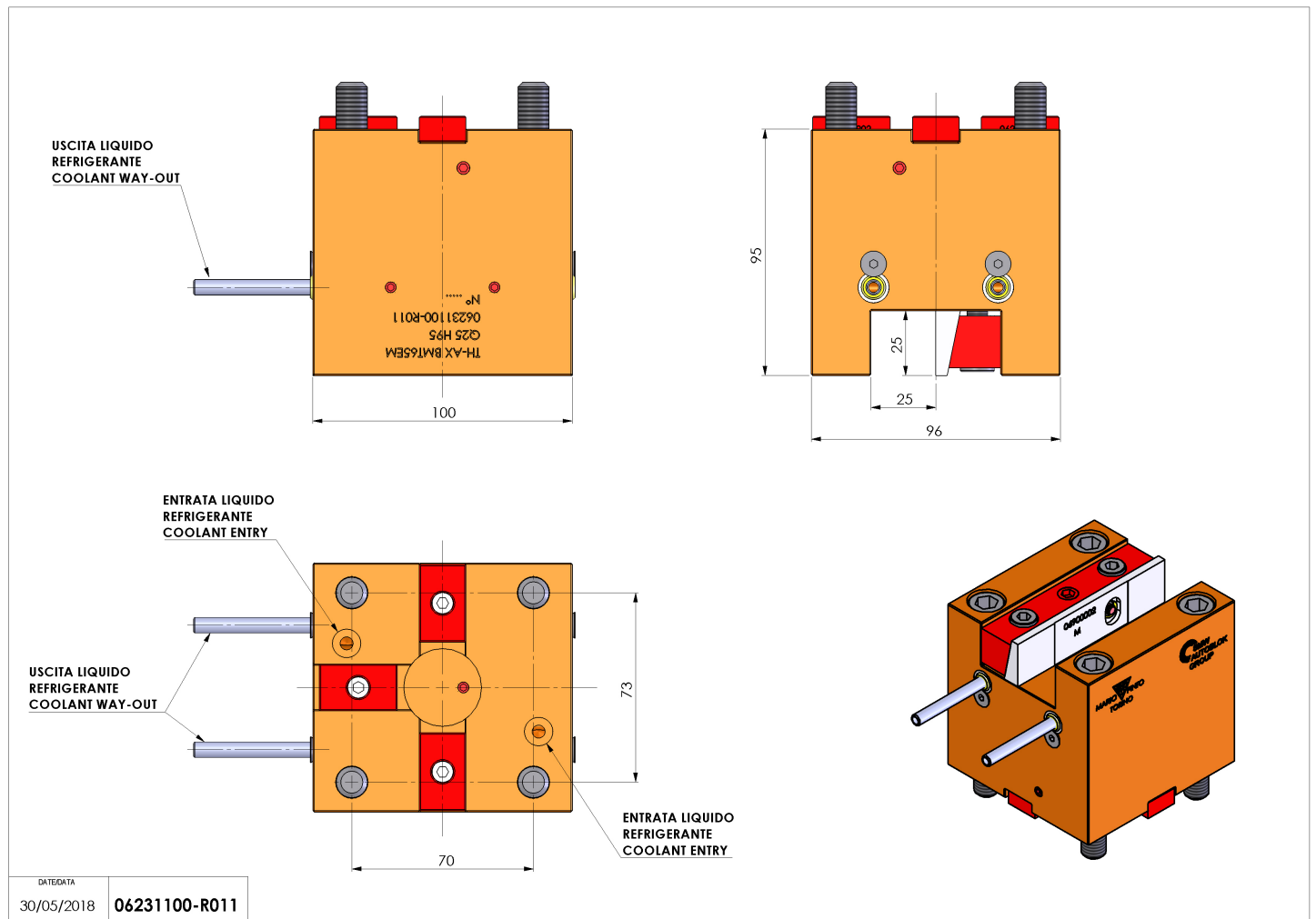
06231100 - TH-AX BMT65EM Q25 H95

Type	TH-AX Axial Tool holder
Mounting	BMT 65 EM
Tool output	Axial Square Tool Holder 25x25
Coolant	External coolant
H [mm]	95



Accessories	N.A.
Notes	N.A.
Mounting tips	Not suitable for every application, please check

Always check live tool dimensions on the turret



Subject to technical changes

DATE/GATE	30/05/2018	06231100-R011
-----------	------------	---------------