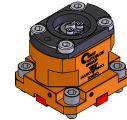
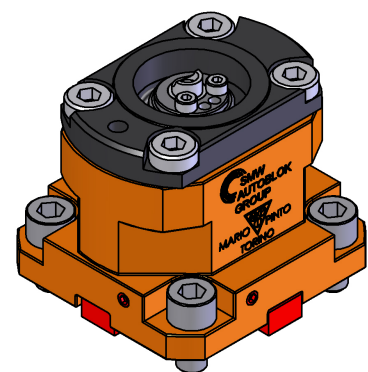
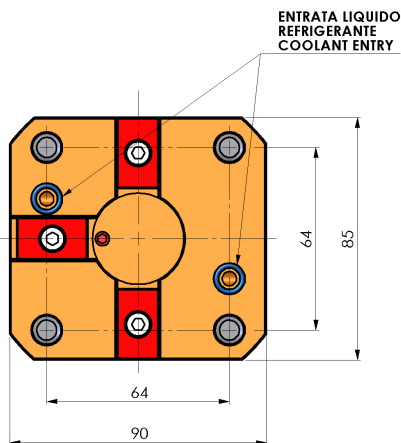
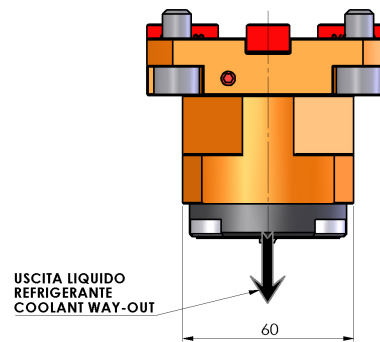
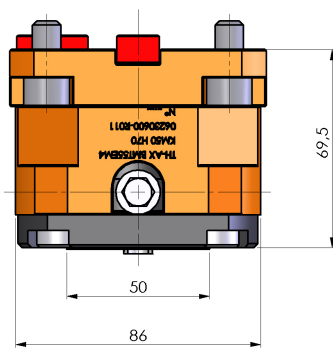


## 06230600 - TH-AX BMT55EM4 KM50 H70

<b>Type</b>	TH-AX Axial Tool holder
<b>Mounting</b>	BMT 55 EM
<b>Tool output</b>	Axial KM50 Tool Holder
<b>Coolant</b>	Internal coolant
<b>H [mm]</b>	70
<b>Accessories</b>	N.A.
<b>Notes</b>	N.A.
<b>Mounting tips</b>	Not suitable for every application, please check



Always check live tool dimensions on the turret



DATE/DATE	
05/12/2017	06230600-R011

Subject to technical changes