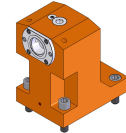
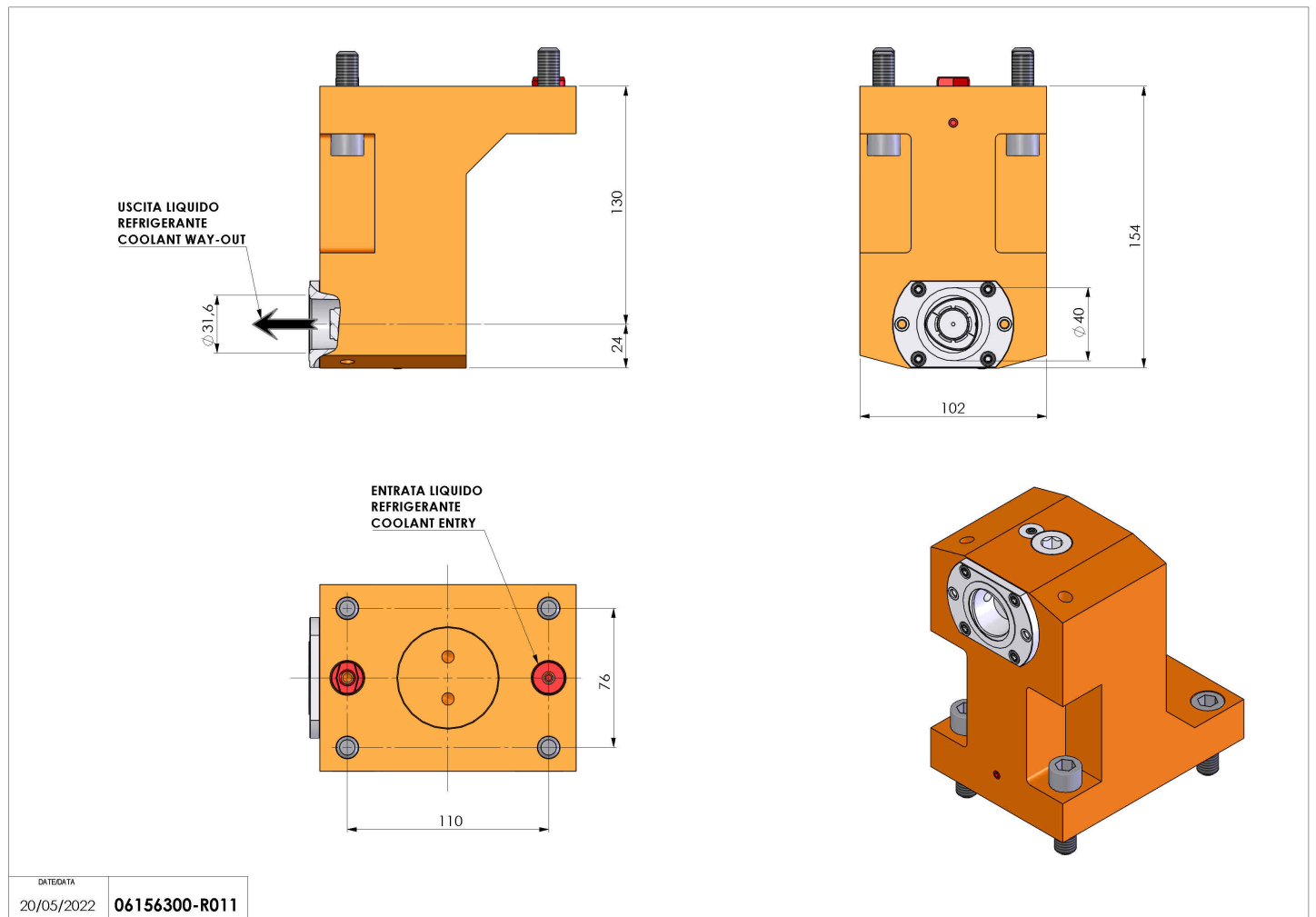


06156300 - TH-AX P18 C40 RF H130

| | |
|---------------|--|
| Type | TH-AX Axial Tool holder |
| Mounting | PIN Ø18 (D55) |
| Tool output | Polygonal shank C40 ISO 26623-1 |
| Coolant | Internal coolant |
| H [mm] | 130 |
| Accessories | N.A. |
| Notes | N.A. |
| Mounting tips | Not suitable for every application, please check |



Always check live tool dimensions on the turret



Subject to technical changes