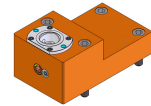


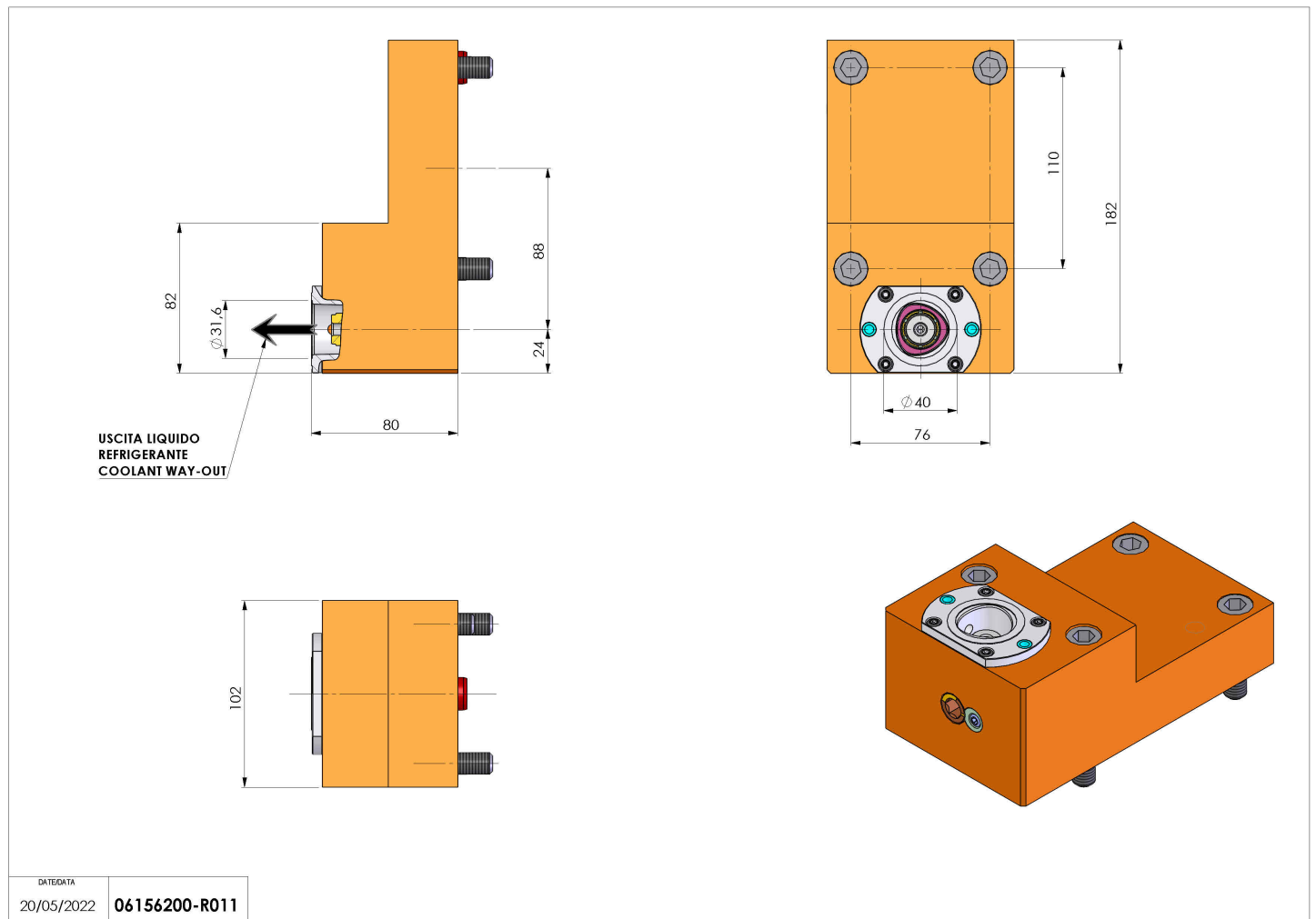
## 06156200 - TH-RAD P18 C40 RF OFS-88 H80

<b>Type</b>	TH-RAD Radial Tool holder
<b>Mounting</b>	PIN Ø18 (D55)
<b>Tool output</b>	Polygonal shank C40 ISO 26623-1
<b>Coolant</b>	Internal coolant
<b>H [mm]</b>	80



<b>Accessories</b>	N.A.
<b>Notes</b>	N.A.
<b>Mounting tips</b>	Not suitable for every application, please check

Always check live tool dimensions on the turret



DATE/DATE	20/05/2022
PART NUMBER	06156200-R011

**Subject to technical changes**