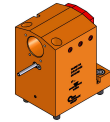


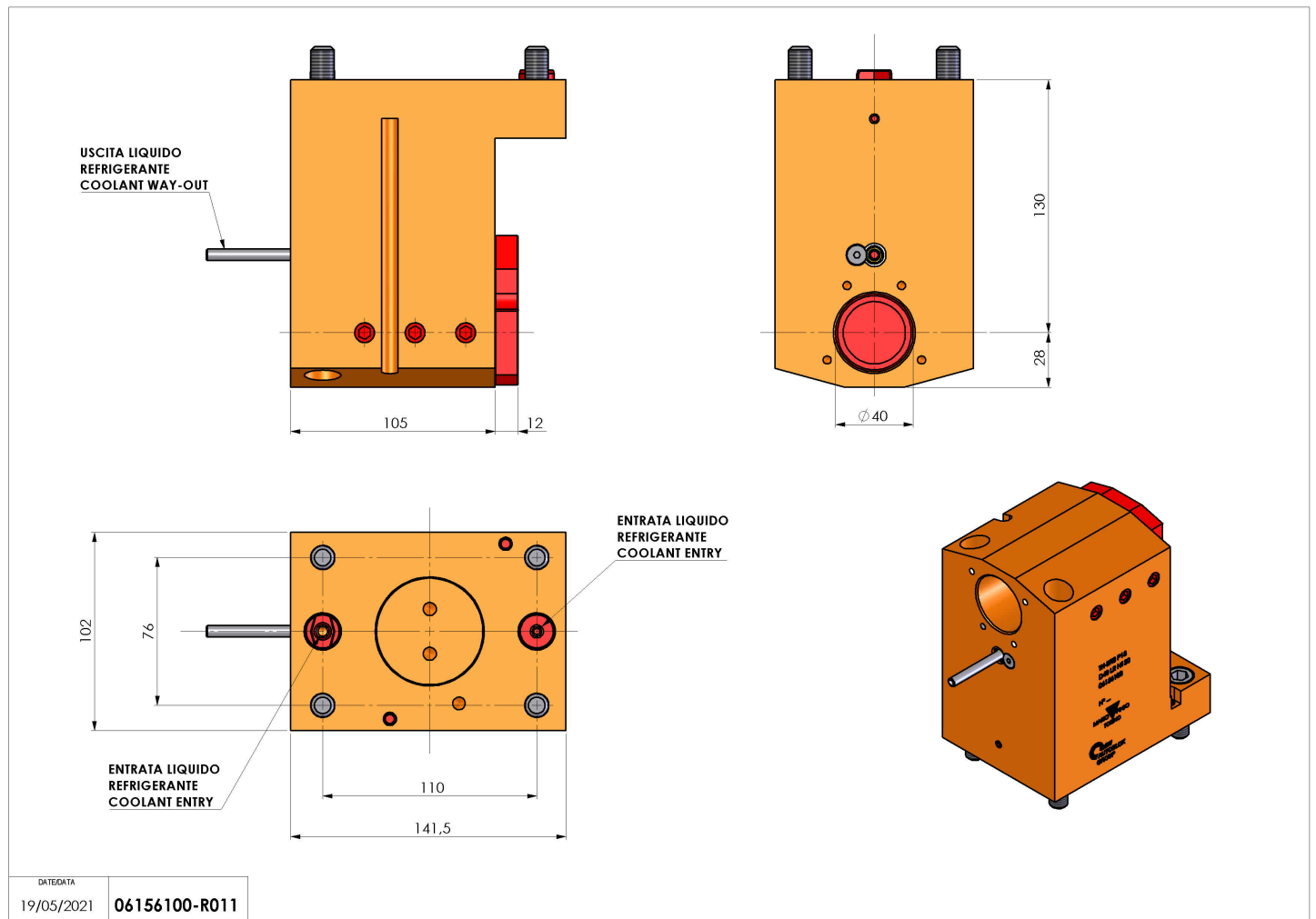
06156100 - TH-BRB P18 D40 LR H130

Type	TH-BRB Boring bar holder
Mounting	PIN Ø18 (D55)
Tool output	Boring Bar Holder 40
Coolant	External coolant
H [mm]	130



Accessories	N.A.
Notes	N.A.
Mounting tips	Not suitable for every application, please check

Always check live tool dimensions on the turret



DATE/DATE	19/05/2021
06156100-R011	

Subject to technical changes