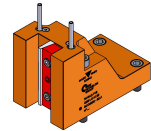


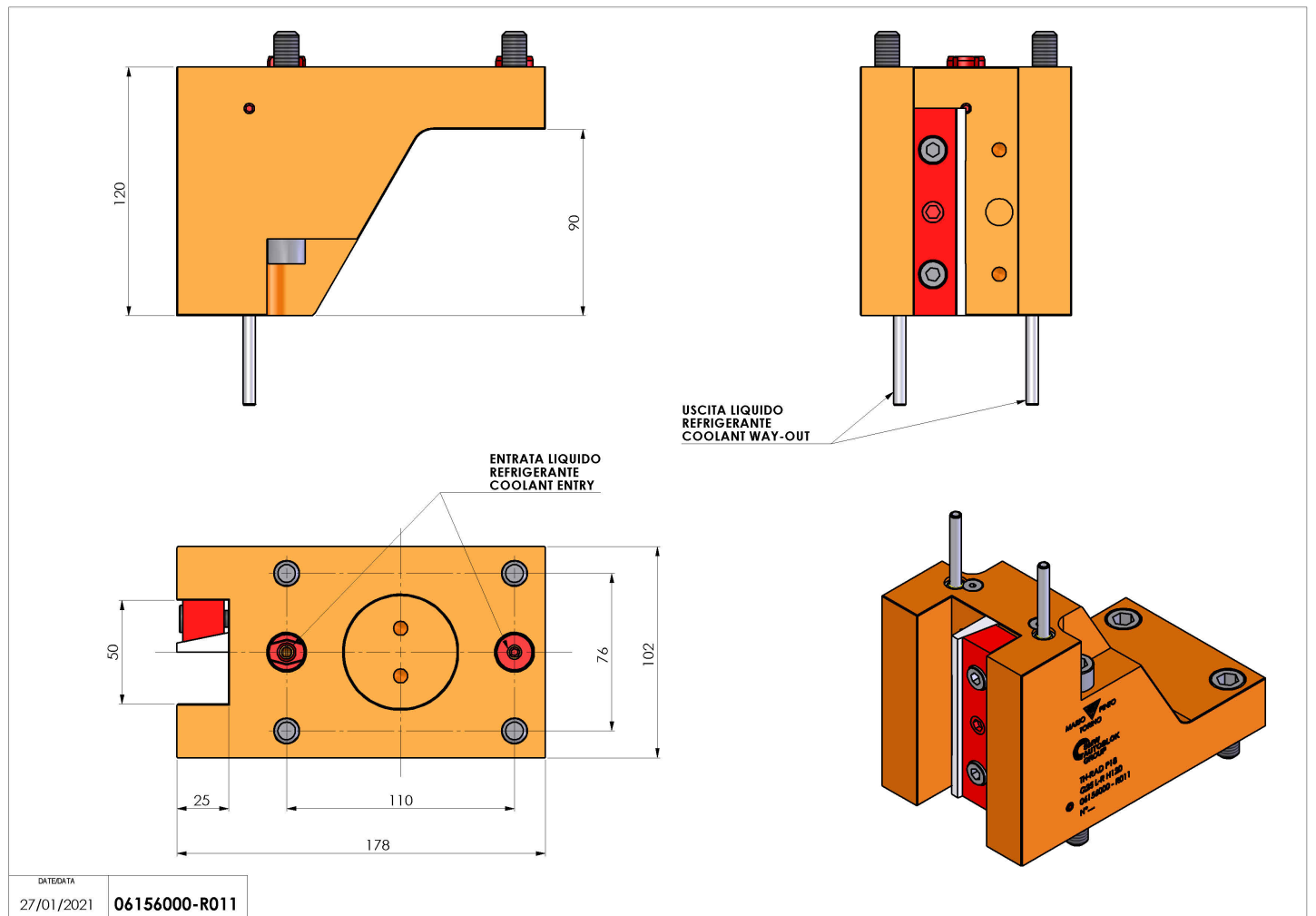
06156000 - TH-RAD P18 Q25 L-R H120

Type	TH-RAD Radial Tool holder
Mounting	PIN Ø18 (D55)
Tool output	Radial Square Tool Holder 25x25
Coolant	External coolant
H [mm]	120



Accessories	N.A.
Notes	N.A.
Mounting tips	Not suitable for every application, please check

Always check live tool dimensions on the turret



DATE/DATE	27/01/2021
06156000-R011	

Subject to technical changes