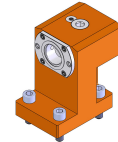


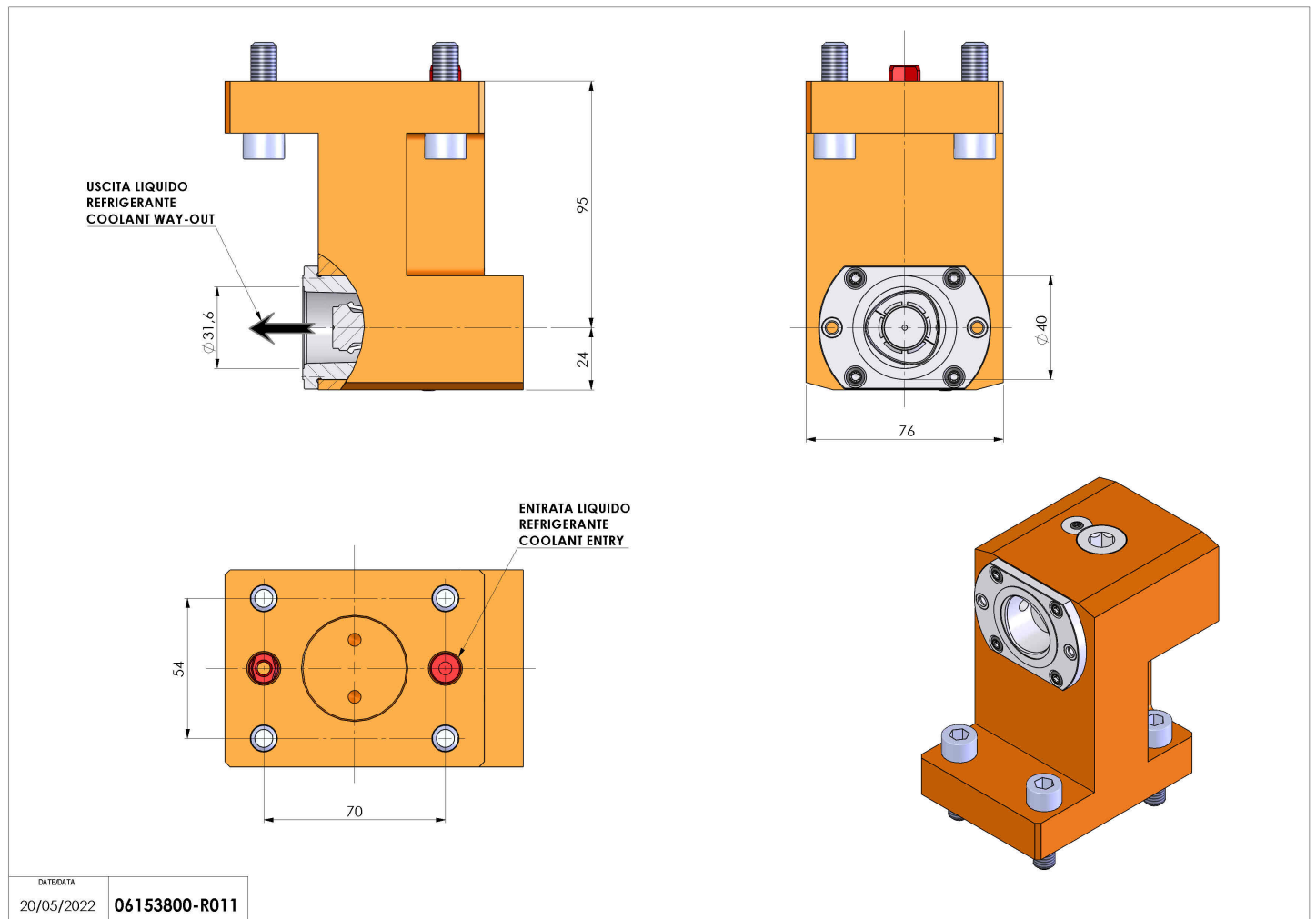
06153800 - TH-AX P12 C40 RF OFS-20 H95

Type	TH-AX Axial Tool holder
Mounting	PIN Ø12 (D40)
Tool output	Polygonal shank C40 ISO 26623-1
Coolant	Internal coolant
H [mm]	95



Accessories	N.A.
Notes	N.A.
Mounting tips	Not suitable for every application, please check

Always check live tool dimensions on the turret



Subject to technical changes