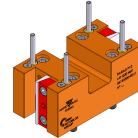
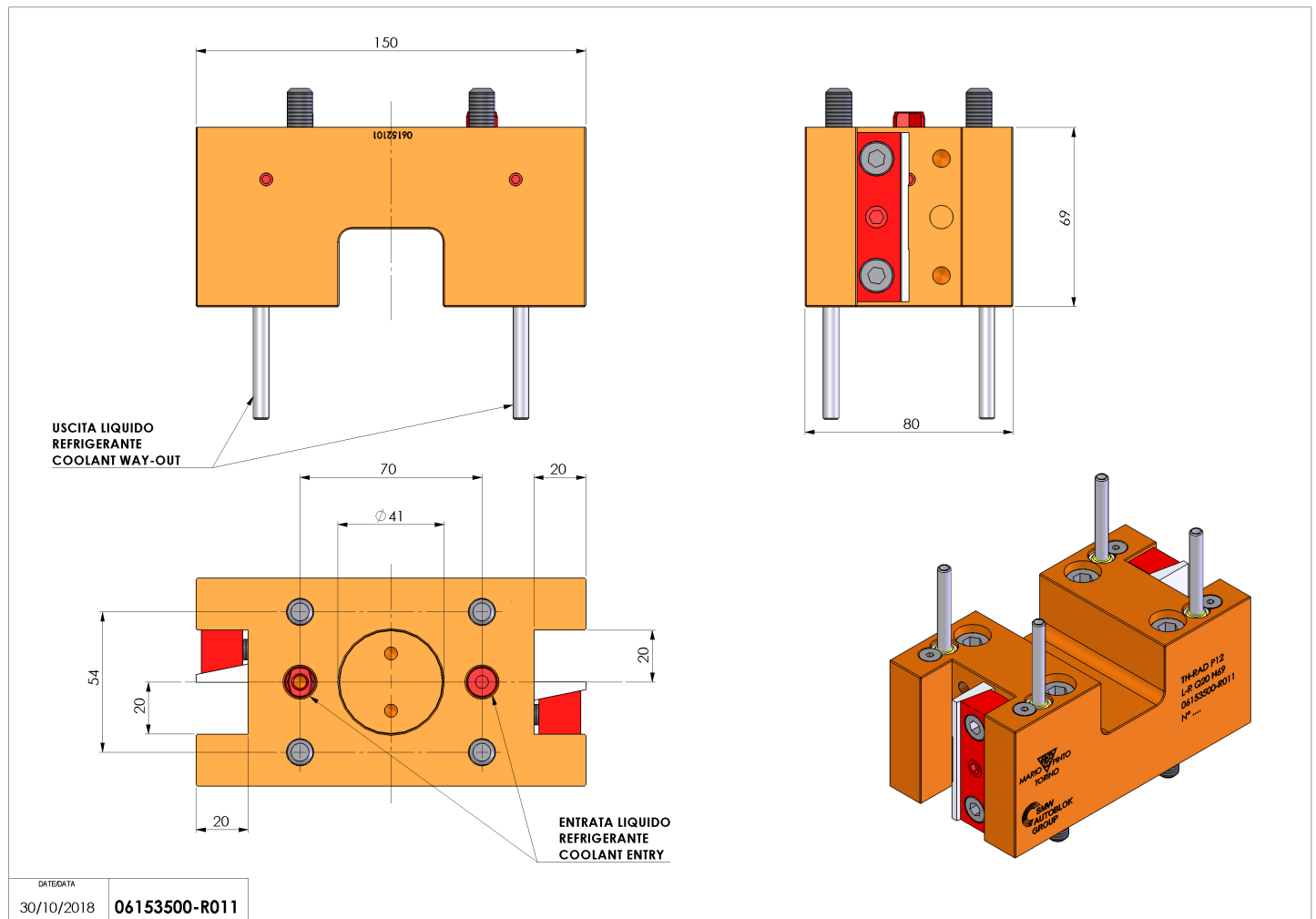


06153500 - TH-RAD P12 L-R Q20 H69

Type	TH-RAD Radial Tool holder
Mounting	PIN Ø12 (D40)
Tool output	Radial Square Tool Holder 20x20
Coolant	External coolant
H [mm]	69
Accessories	N.A.
Notes	N.A.
Mounting tips	Not suitable for every application, please check



Always check live tool dimensions on the turret



Subject to technical changes