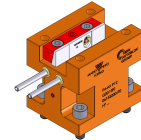


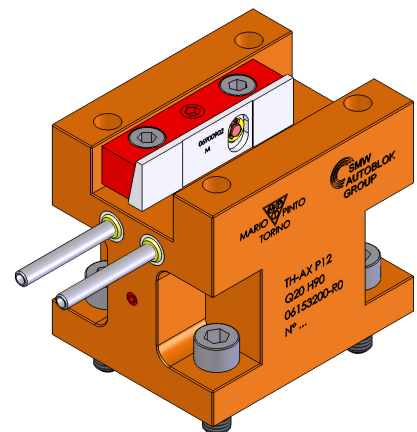
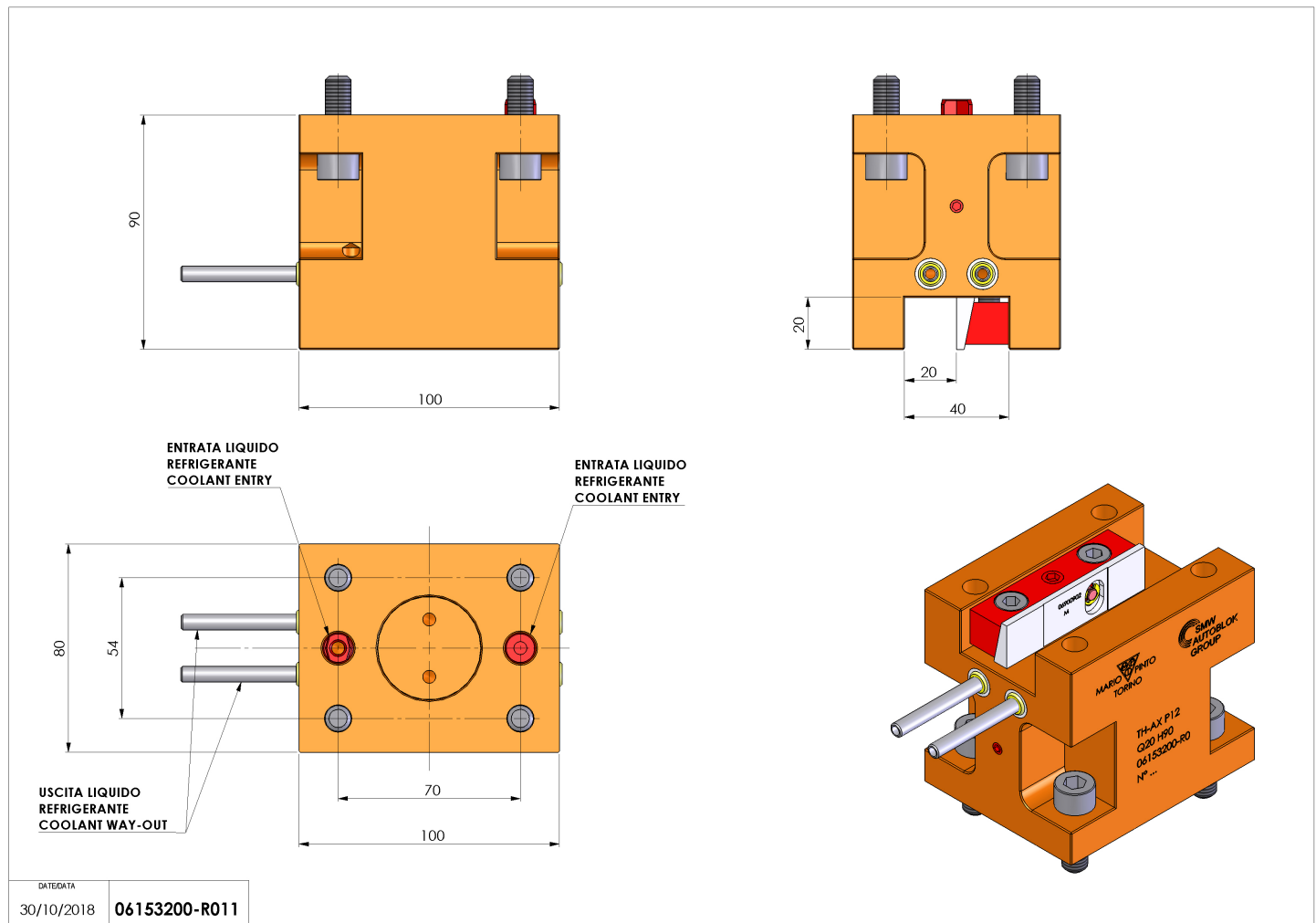
06153200 - TH-AX P12 Q20 H90

Type	TH-AX Axial Tool holder
Mounting	PIN Ø12 (D40)
Tool output	Radial Square Tool Holder 20x20
Coolant	External coolant
H [mm]	90



Accessories	N.A.
Notes	N.A.
Mounting tips	Not suitable for every application, please check

Always check live tool dimensions on the turret



Subject to technical changes