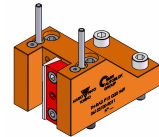


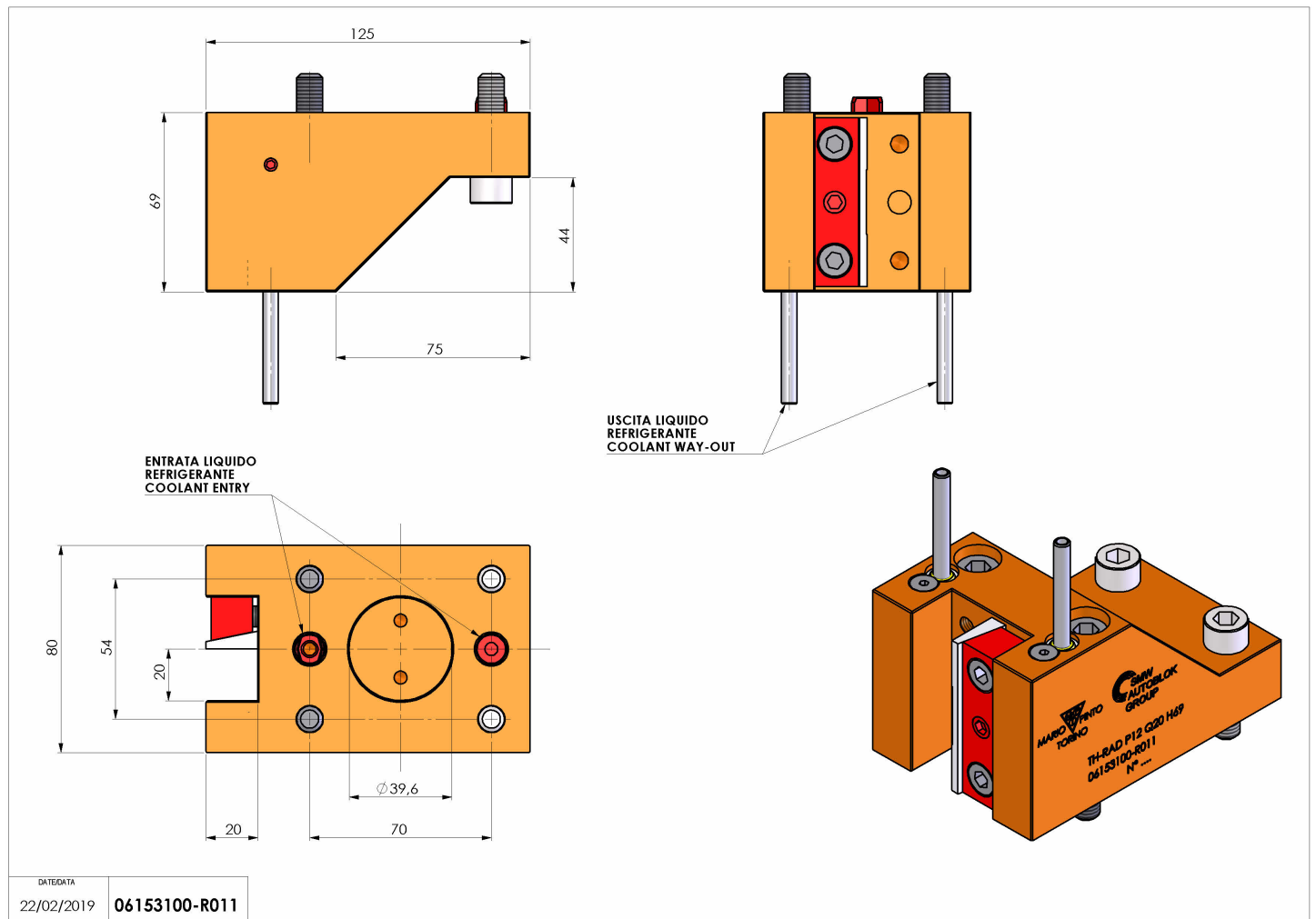
06153100 - TH-RAD P12 Q20 H69

Type	TH-RAD Radial Tool holder
Mounting	PIN Ø12 (D40)
Tool output	Radial Square Tool Holder 20x20
Coolant	External coolant
H [mm]	69



Accessories	N.A.
Notes	N.A.
Mounting tips	Not suitable for every application, please check

Always check live tool dimensions on the turret



DATE/DATE	22/02/2019
PART NUMBER	06153100-R011

Subject to technical changes