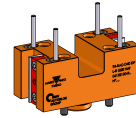


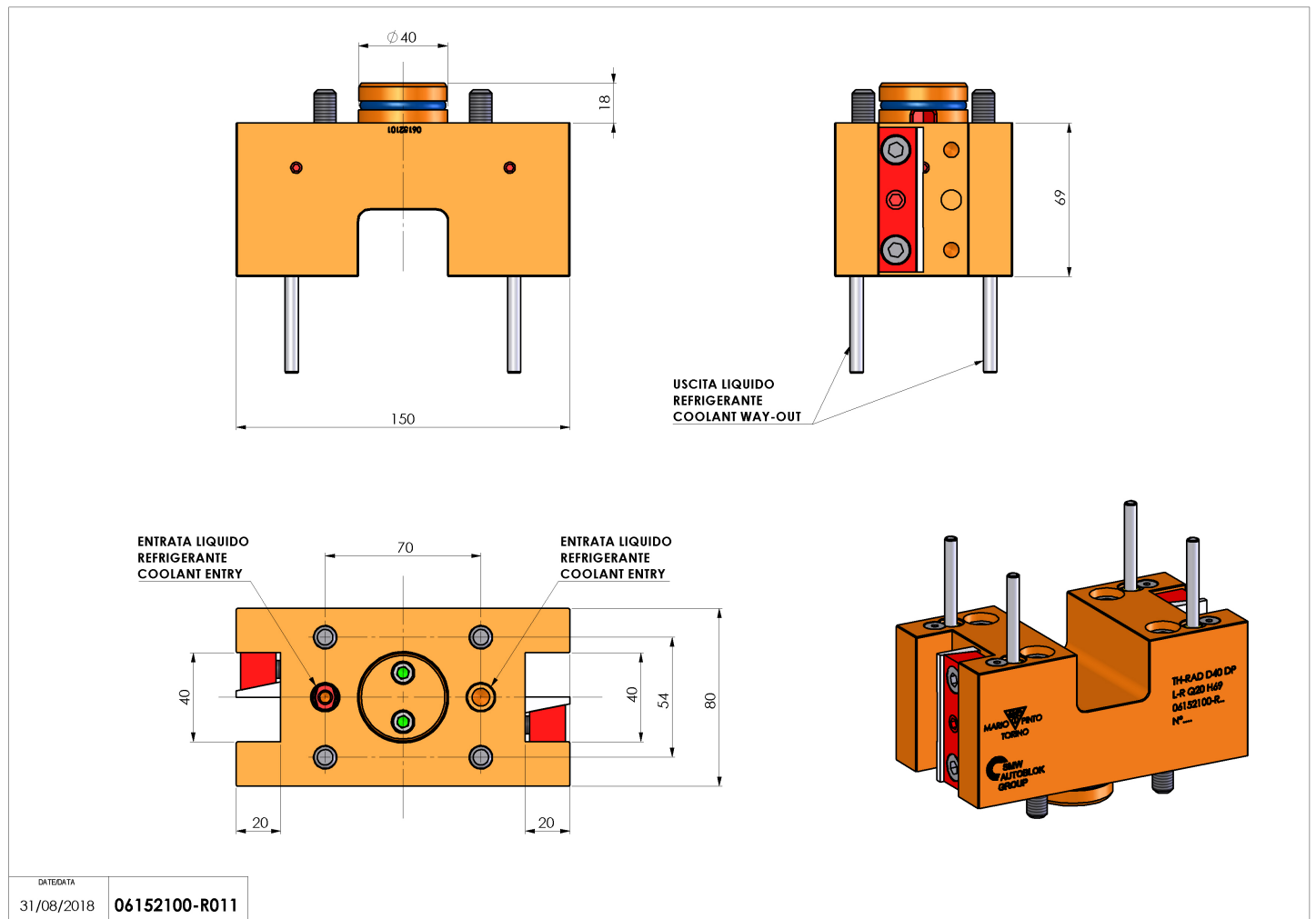
# 06152100 - TH-RAD D40 DP L-R Q20 H69

Type	TH-RAD Radial Tool holder
Mounting	CYLINDRICAL SHANK 40
Tool output	Radial Square Tool Holder 20x20
Coolant	External coolant
H [mm]	69



Accessories	N.A.
Notes	N.A.
Mounting tips	Not suitable for every application, please check

Always check live tool dimensions on the turret



DATE/DATE	31/08/2018	06152100-R011
-----------	------------	---------------

Subject to technical changes