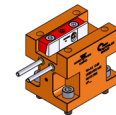


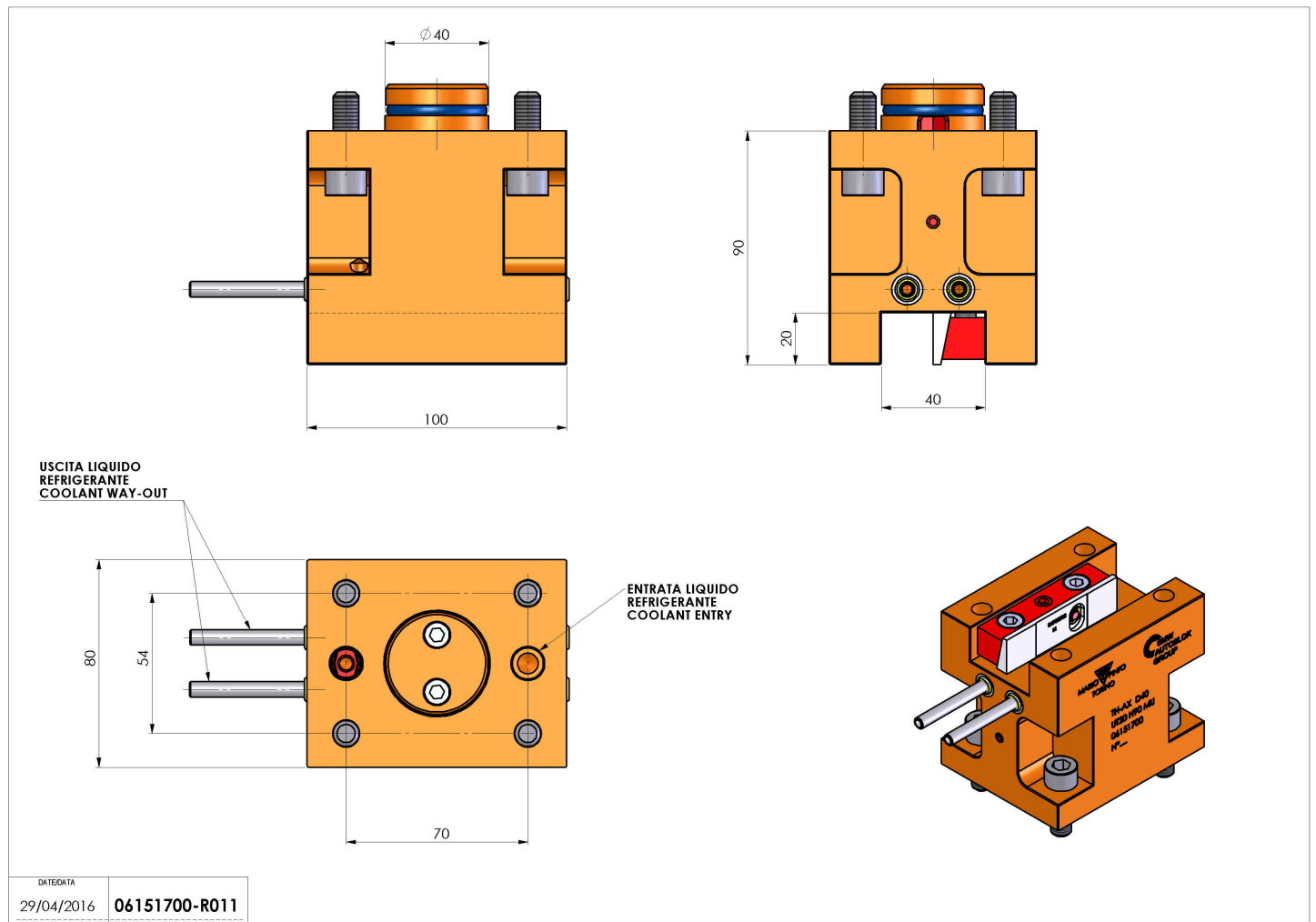
# 06151700 - TH-AX D40 UT20 H90 MU

<b>Type</b>	TH-AX Axial Tool holder
<b>Mounting</b>	CYLINDRICAL SHANK 40
<b>Tool output</b>	Axial Square Tool Holder 20x20
<b>Coolant</b>	External coolant
<b>H [mm]</b>	90



<b>Accessories</b>	N.A.
<b>Notes</b>	N.A.
<b>Mounting tips</b>	Not suitable for every application, please check

Always check live tool dimensions on the turret



DATE/DATE	29/04/2016
06151700-R011	

Subject to technical changes