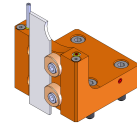


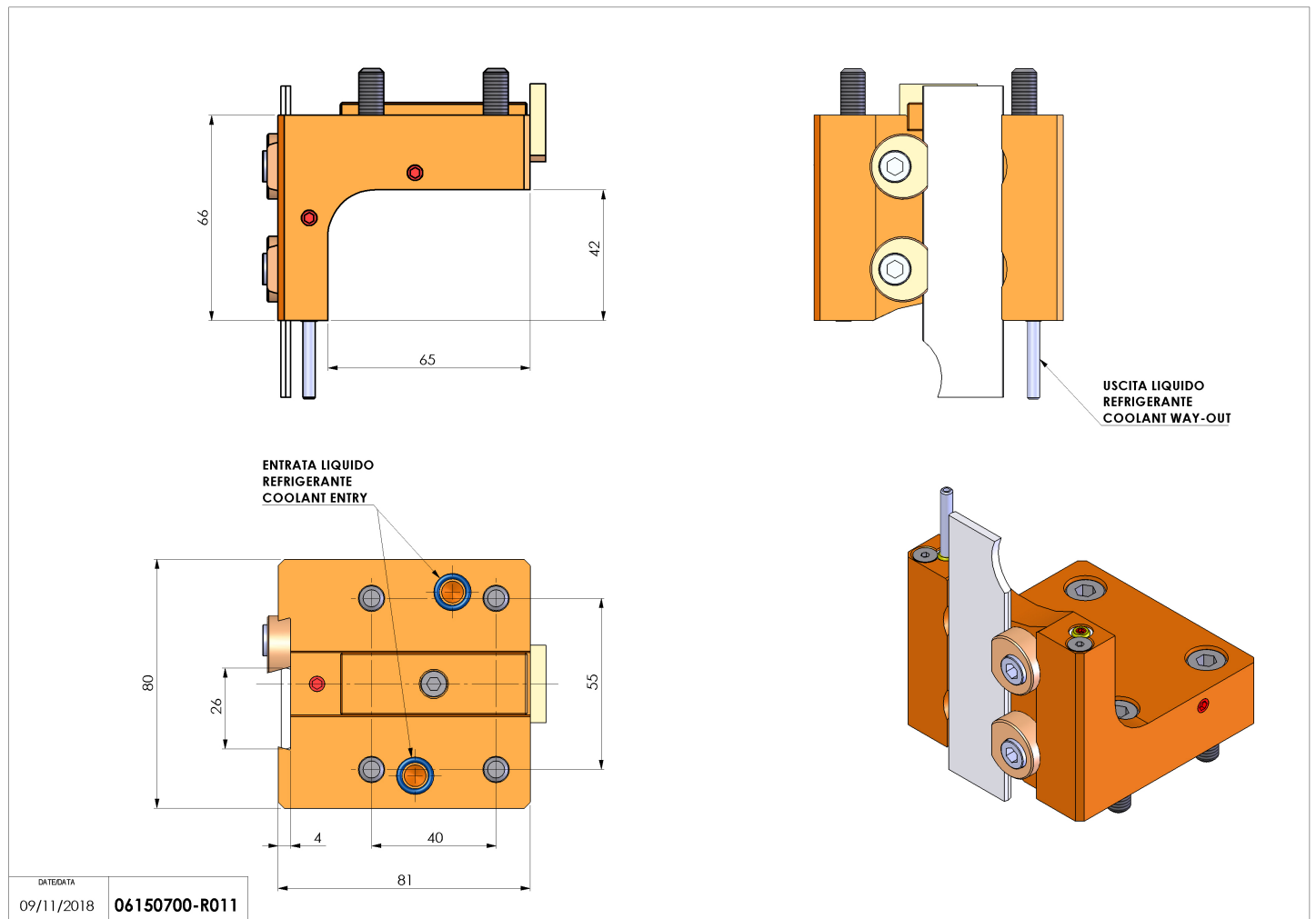
## 06150700 - TH-CUT D44 SH26X3 LR H66

<b>Type</b>	TH-CUT Cutting holder
<b>Mounting</b>	CYLINDRICAL SHANK 44
<b>Tool output</b>	Cut Off Holder 26
<b>Coolant</b>	External coolant
<b>H [mm]</b>	66



<b>Accessories</b>	N.A.
<b>Notes</b>	N.A.
<b>Mounting tips</b>	Not suitable for every application, please check

Always check live tool dimensions on the turret



DATE/DATE: 09/11/2018  
**06150700-R011**

**Subject to technical changes**