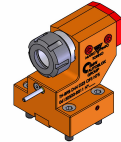
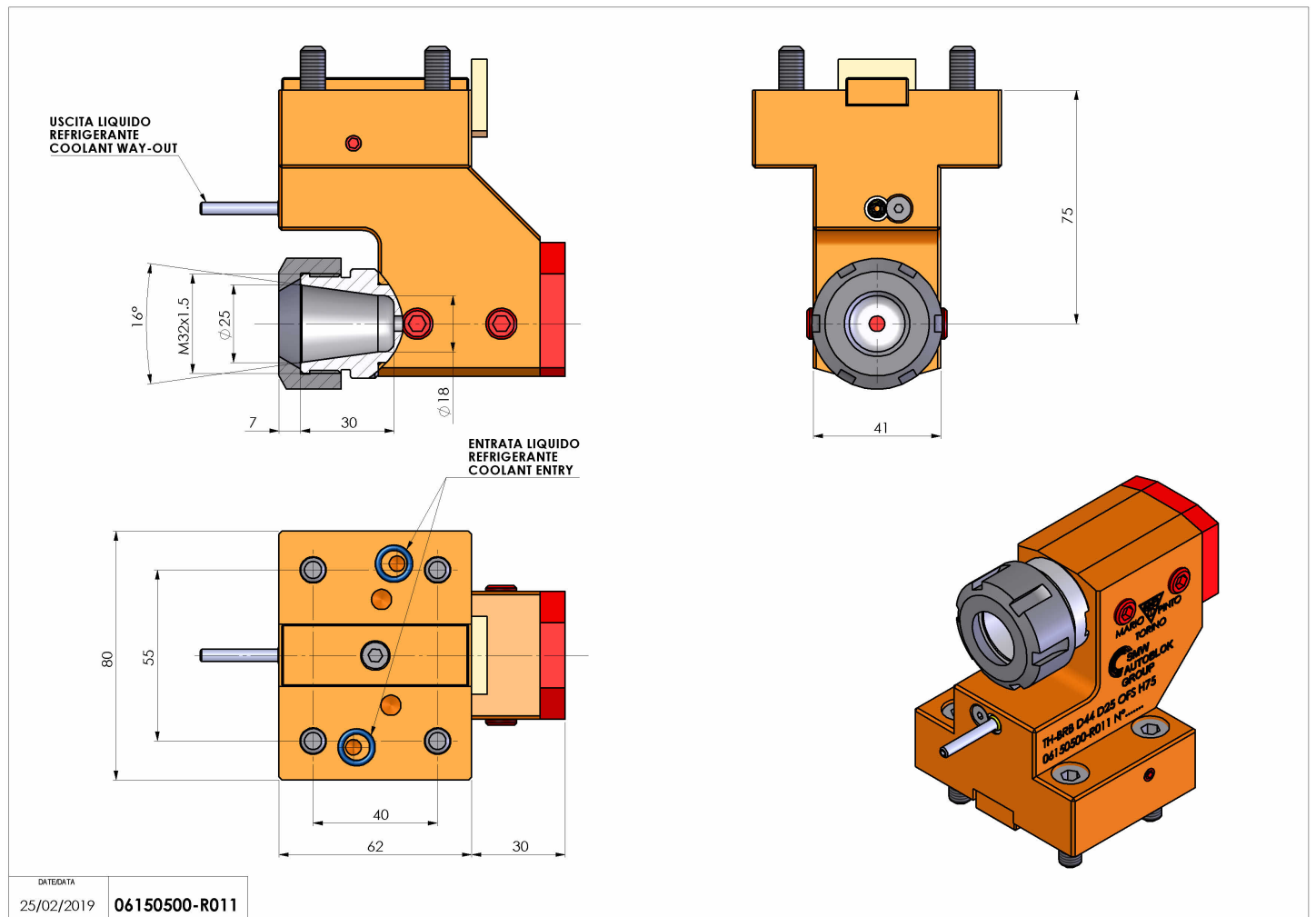


## 06150500 - TH-BRB D44 D25 OFS H75

<b>Type</b>	TH-BRB Boring bar holder
<b>Mounting</b>	CYLINDRICAL SHANK 44
<b>Tool output</b>	Boring bar holder 20 - Collet nut ER25
<b>Coolant</b>	External / Internal coolant
<b>H [mm]</b>	75
<b>Accessories</b>	N.A.
<b>Notes</b>	N.A.
<b>Mounting tips</b>	Not suitable for every application, please check



Always check live tool dimensions on the turret



Subject to technical changes