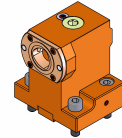


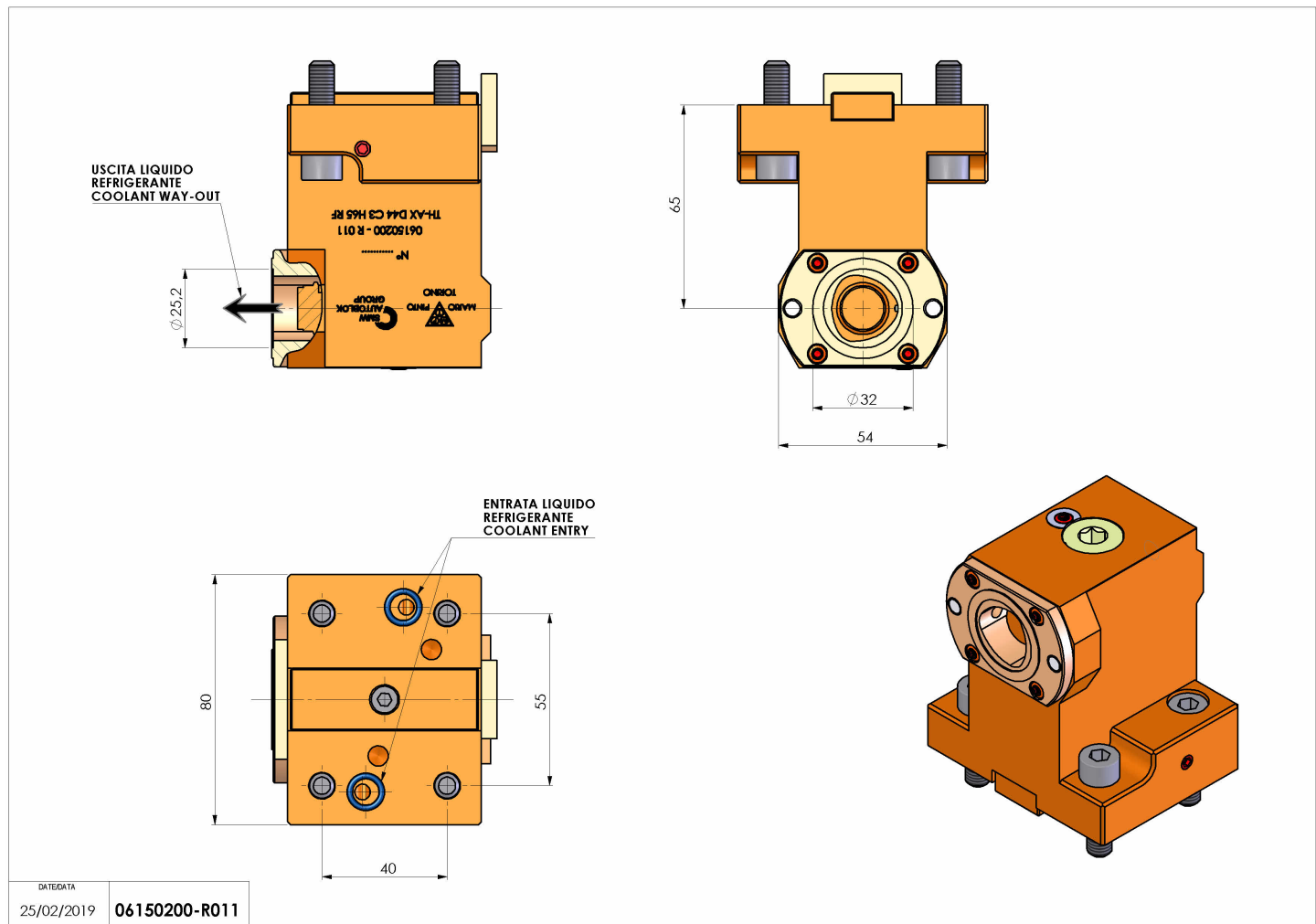
06150200 - TH-AX D44 C3 H65 RF

| | |
|-------------|---------------------------------|
| Type | TH-AX Axial Tool holder |
| Mounting | CYLINDRICAL SHANK 44 |
| Tool output | Polygonal shank C32 ISO 26623-1 |
| Coolant | Internal coolant |
| H [mm] | 65 |



| | |
|---------------|--|
| Accessories | N.A. |
| Notes | N.A. |
| Mounting tips | Not suitable for every application, please check |

Always check live tool dimensions on the turret



| | | |
|-----------|------------|---------------|
| DATE/DATE | 25/02/2019 | 06150200-R011 |
|-----------|------------|---------------|

Subject to technical changes