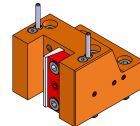


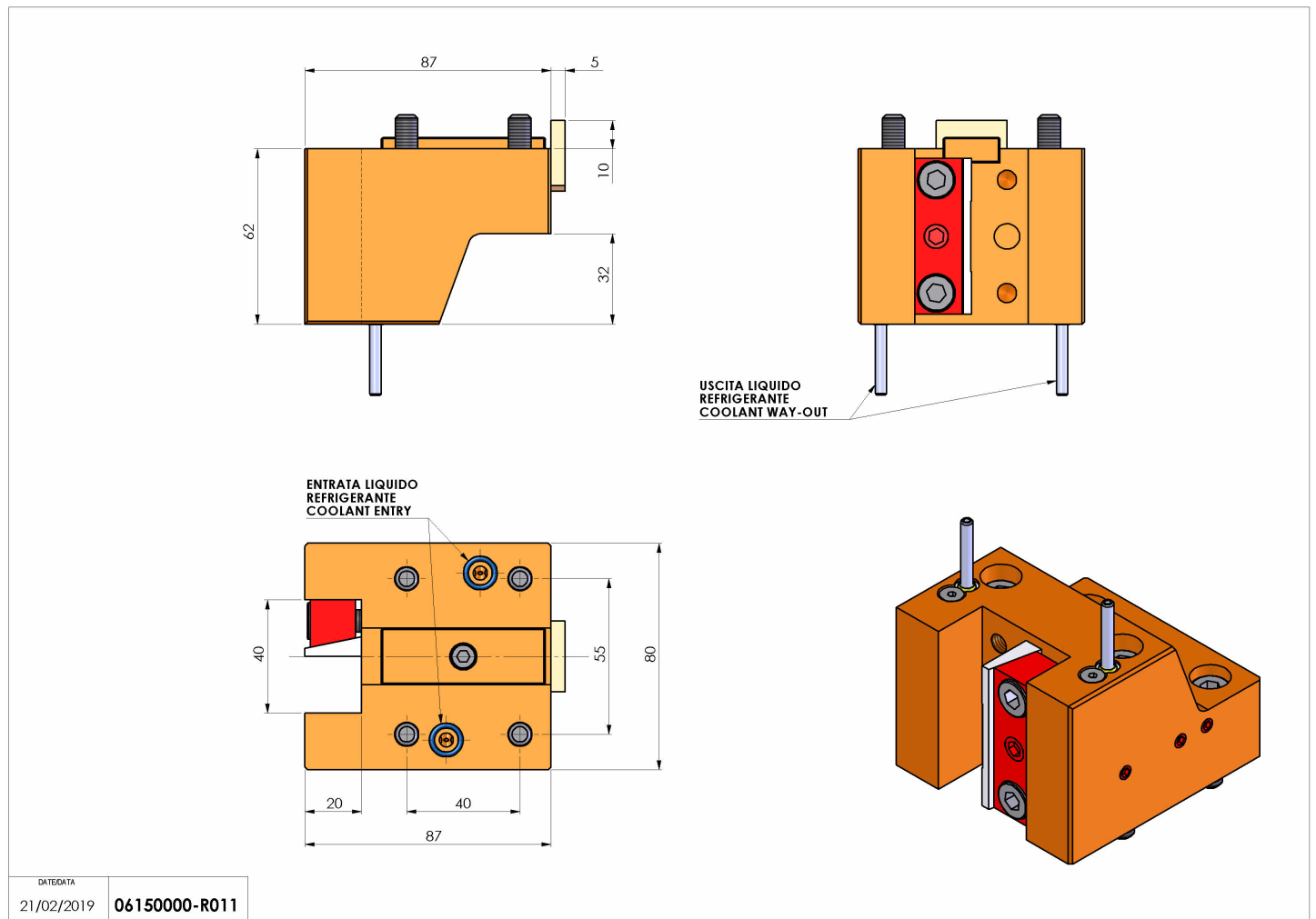
06150000 - TH-RAD UT20 H62 CN MU

Type	TH-RAD Radial Tool holder
Mounting	CYLINDRICAL SHANK 44
Tool output	Radial Square Tool Holder 20x20
Coolant	External coolant
H [mm]	62



Accessories	N.A.
Notes	N.A.
Mounting tips	Not suitable for every application, please check

Always check live tool dimensions on the turret



DATE/DATE	21/02/2019	06150000-R011
-----------	------------	---------------

Subject to technical changes