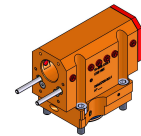


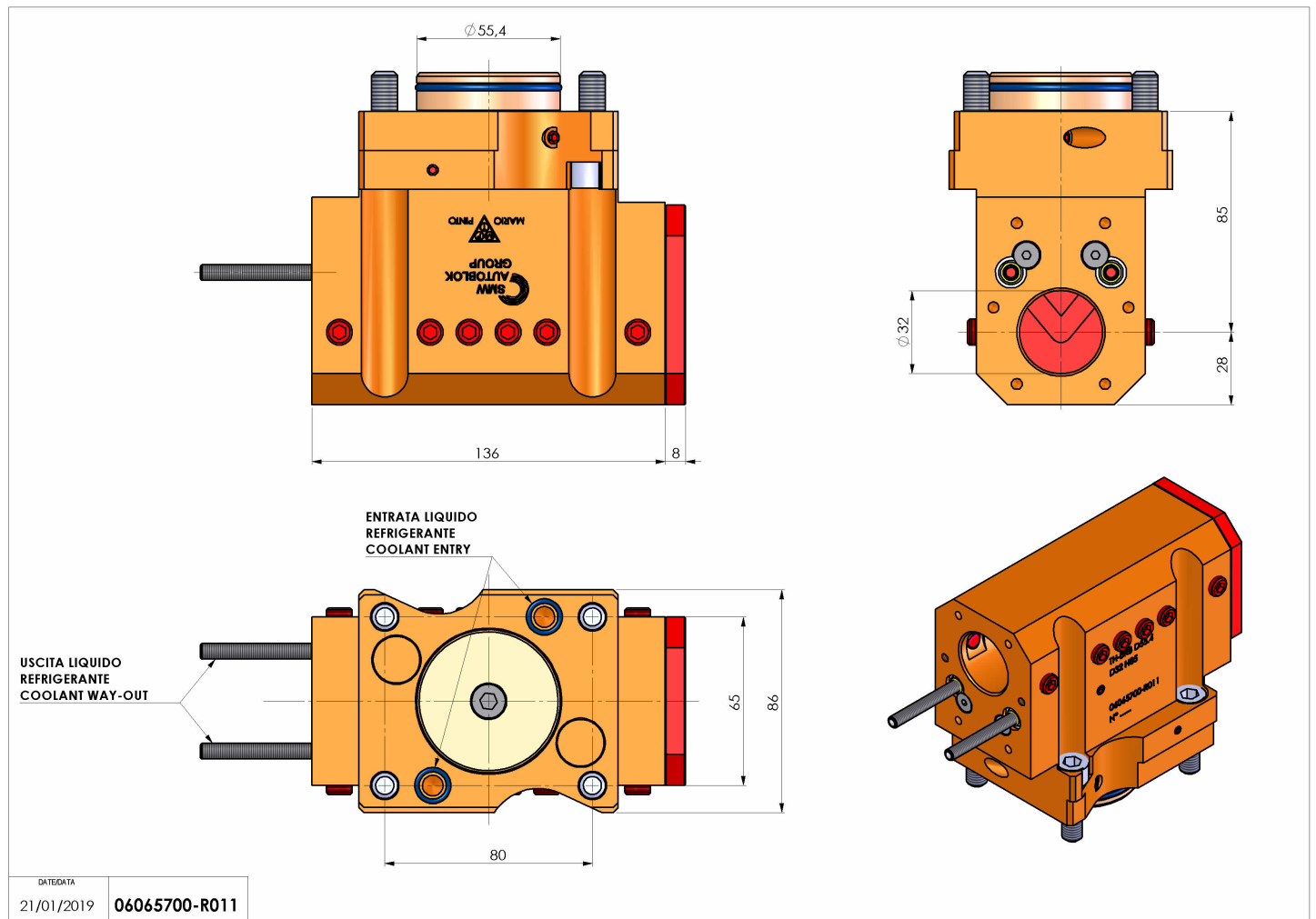
# 06065700 - TH-BRB D55,4 D32 L-R H85

|             |                             |
|-------------|-----------------------------|
| Type        | TH-BRB<br>Boring bar holder |
| Mounting    | CYLINDRICAL SHANK 55,4      |
| Tool output | Boring Bar Holder 32        |
| Coolant     | External / Internal coolant |
| H [mm]      | 85                          |



|               |  |
|---------------|--|
| Accessories   | N.A.   |
| Notes         | N.A.   |
| Mounting tips | Not suitable for every application, please check |

Always check live tool dimensions on the turret



Subject to technical changes