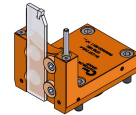


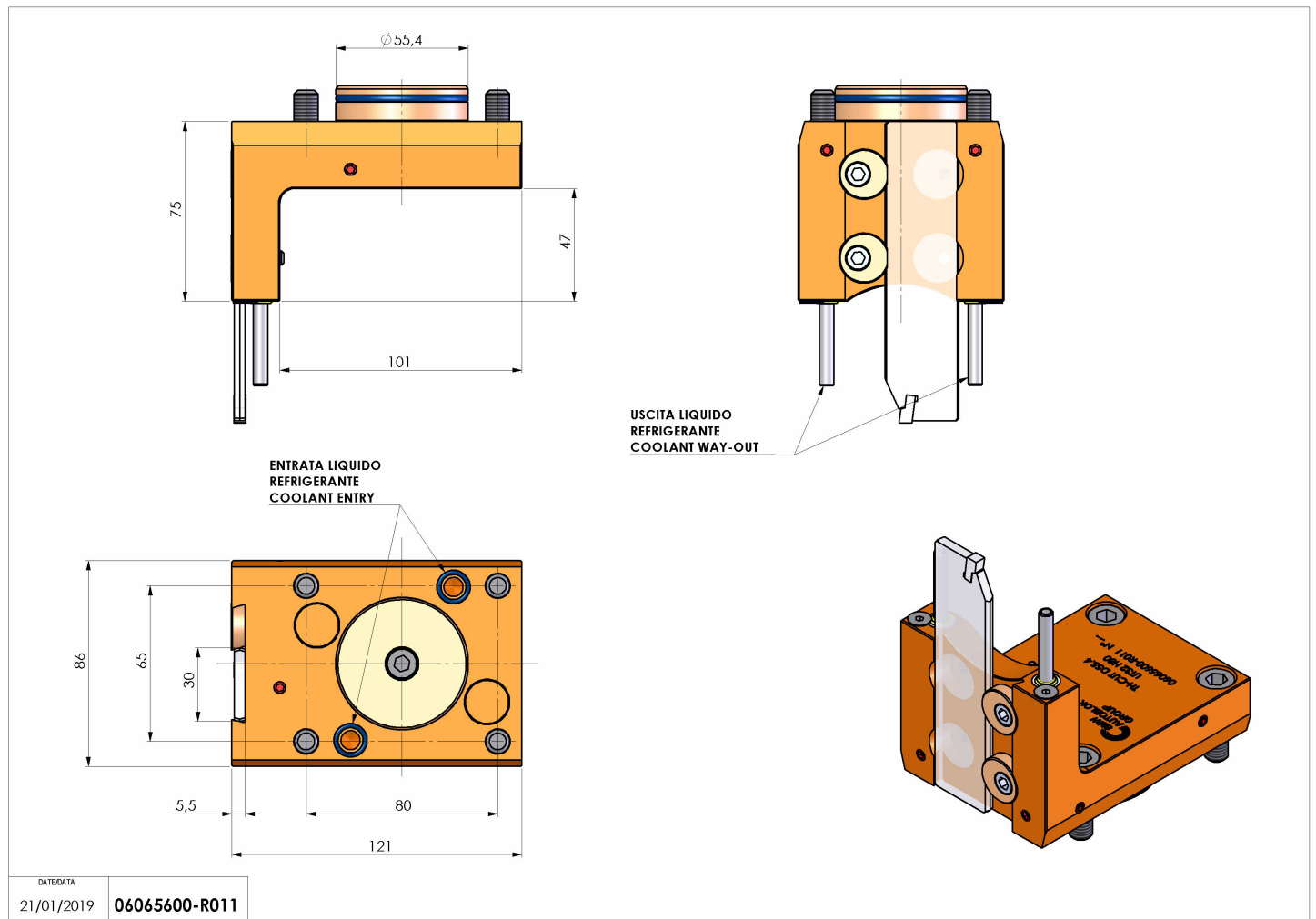
06065600 - TH-CUT D55,4 UT32 L-R H75

| | |
|--------------------|--------------------------|
| Type | TH-CUT Cutting holder |
| Mounting | CYLINDRICAL SHANK 55,4 |
| Tool output | Cut Off Holder 32 |
| Coolant | External coolant |
| H [mm] | 75 |



| | |
|----------------------|--|
| Accessories | N.A. |
| Notes | N.A. |
| Mounting tips | Not suitable for every application, please check |

Always check live tool dimensions on the turret



Dimensions:

- Shank diameter: $\varnothing 55,4$
- Total height: 75
- Bottom flange height: 47
- Bottom flange diameter: 101
- Top flange diameter: 121
- Top flange thickness: 5,5
- Top flange hole diameter: 80
- Top flange hole offset: 30
- Top flange hole diameter: 6,5
- Top flange hole offset: 86

Labels:

- ENTRATA LIQUIDO REFRIGERANTE / COOLANT ENTRY
- USCITA LIQUIDO REFRIGERANTE / COOLANT WAY-OUT

Technical Data:

| | |
|-----------|---------------|
| DATE/DATA | 21/01/2019 |
| | 06065600-R011 |

Subject to technical changes