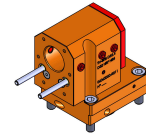


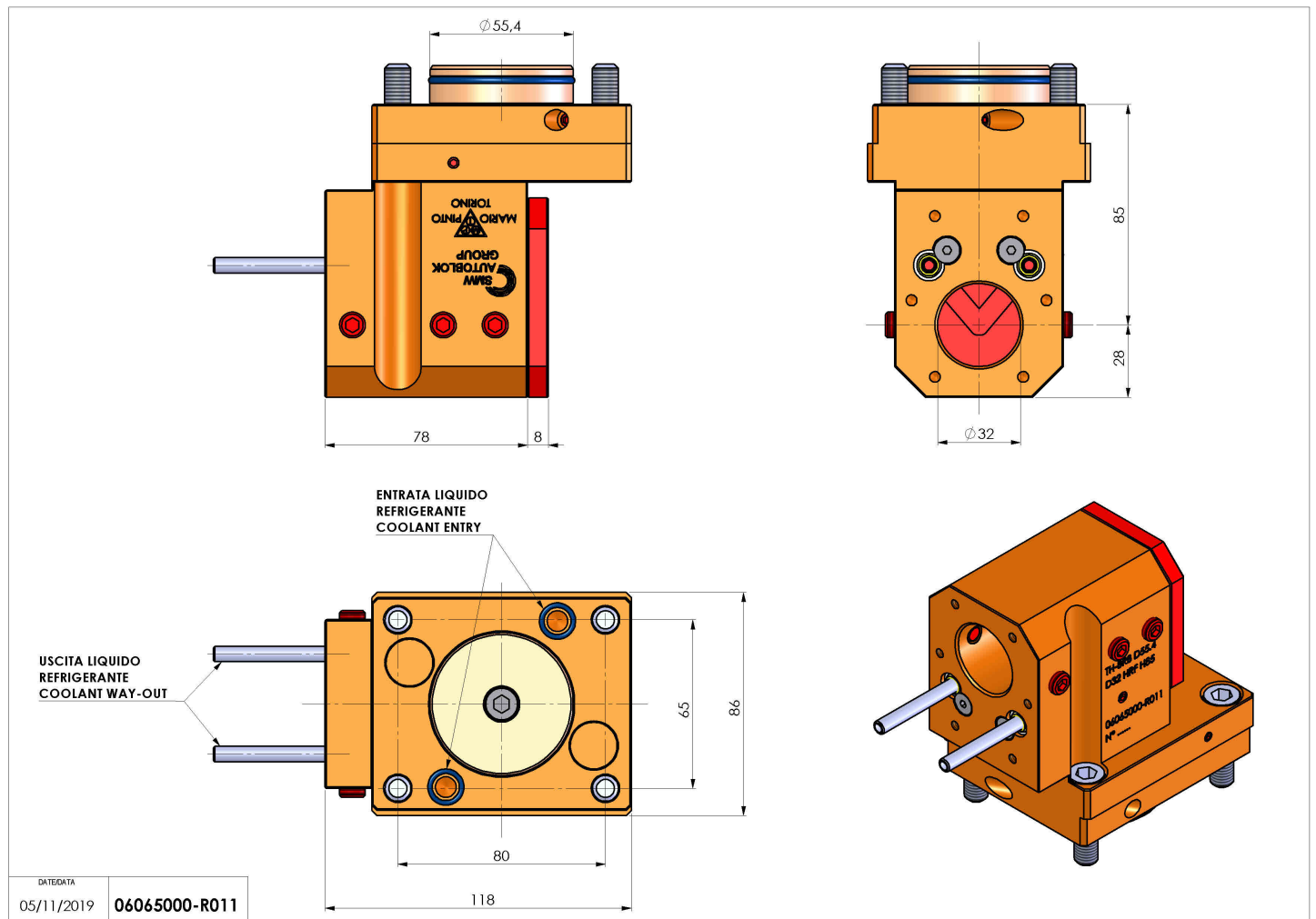
06065000 - TH BRB D55.4 D32 HRF H85

Type	TH-BRB Boring bar holder
Mounting	CYLINDRICAL SHANK 55,4
Tool output	Boring Bar Holder 32
Coolant	HP Internal/external coolant
H [mm]	85



Accessories	N.A.
Notes	N.A.
Mounting tips	Not suitable for every application, please check

Always check live tool dimensions on the turret



Subject to technical changes