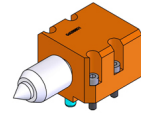
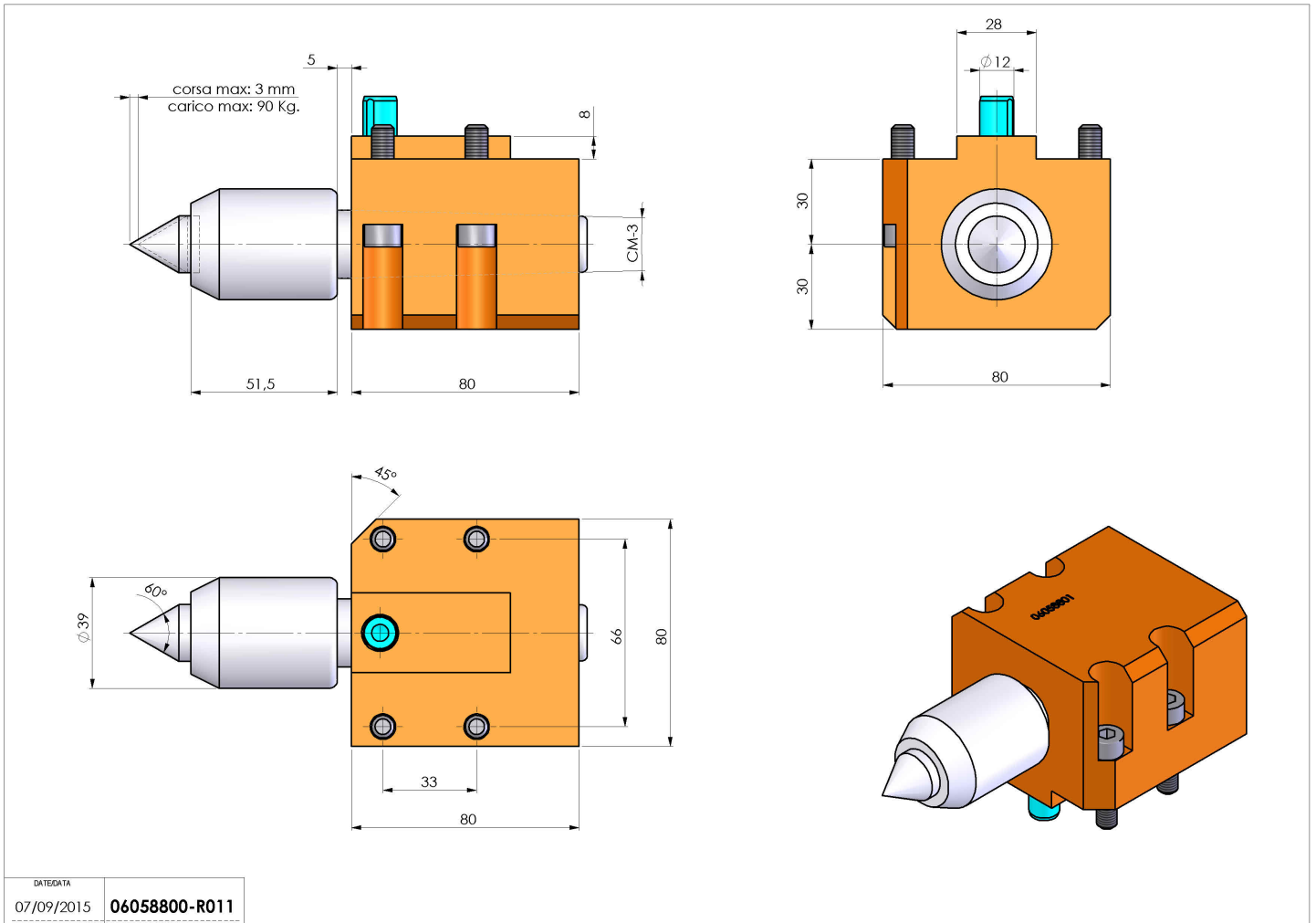


06058800 - TH-CM3 CONTR MOLL MZ

Type	TH Tool holder
Mounting	MAZAK
Tool output	Tailstock holder CM3
Coolant	N.A.
H [mm]	30
Ø Min [mm]	CM3
Accessories	N.A.
Notes	N.A.
Mounting tips	Not suitable for every application, please check



Always check live tool dimensions on the turret



DATE/DATE	07/09/2015	06058800-R011
-----------	------------	---------------

Subject to technical changes