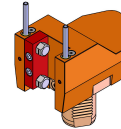


# 06056300 - TH-RAD VDI40 Q25 MS H75

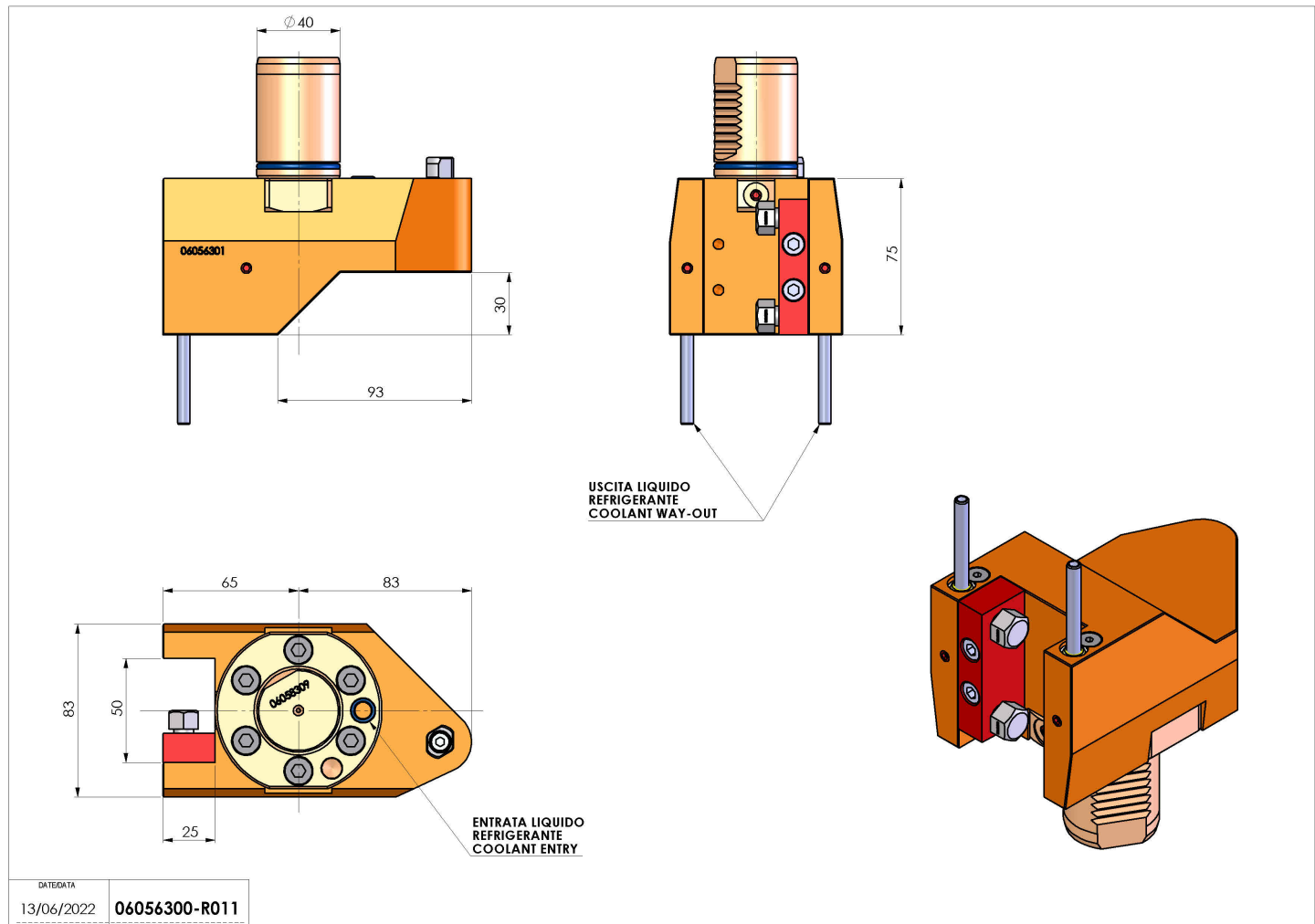
<b>Type</b>	TH-RAD Radial Tool holder
<b>Mounting</b>	VDI 40
<b>Tool output</b>	Radial Square Tool Holder 25x25
<b>Coolant</b>	External coolant
<b>H [mm]</b>	75



<b>Accessories</b>	N.A.
<b>Notes</b>	N.A.
<b>Mounting tips</b>	Not suitable for every application, please check

**ATTENZIONE: VERIFICARE L'ORIENTAMENTO DELLA DENTATURA VDI**

Always check live tool dimensions on the turret



Subject to technical changes