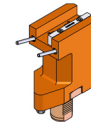


06056000 - TH-AX VDI40 H143 L105 DX-SX MZ

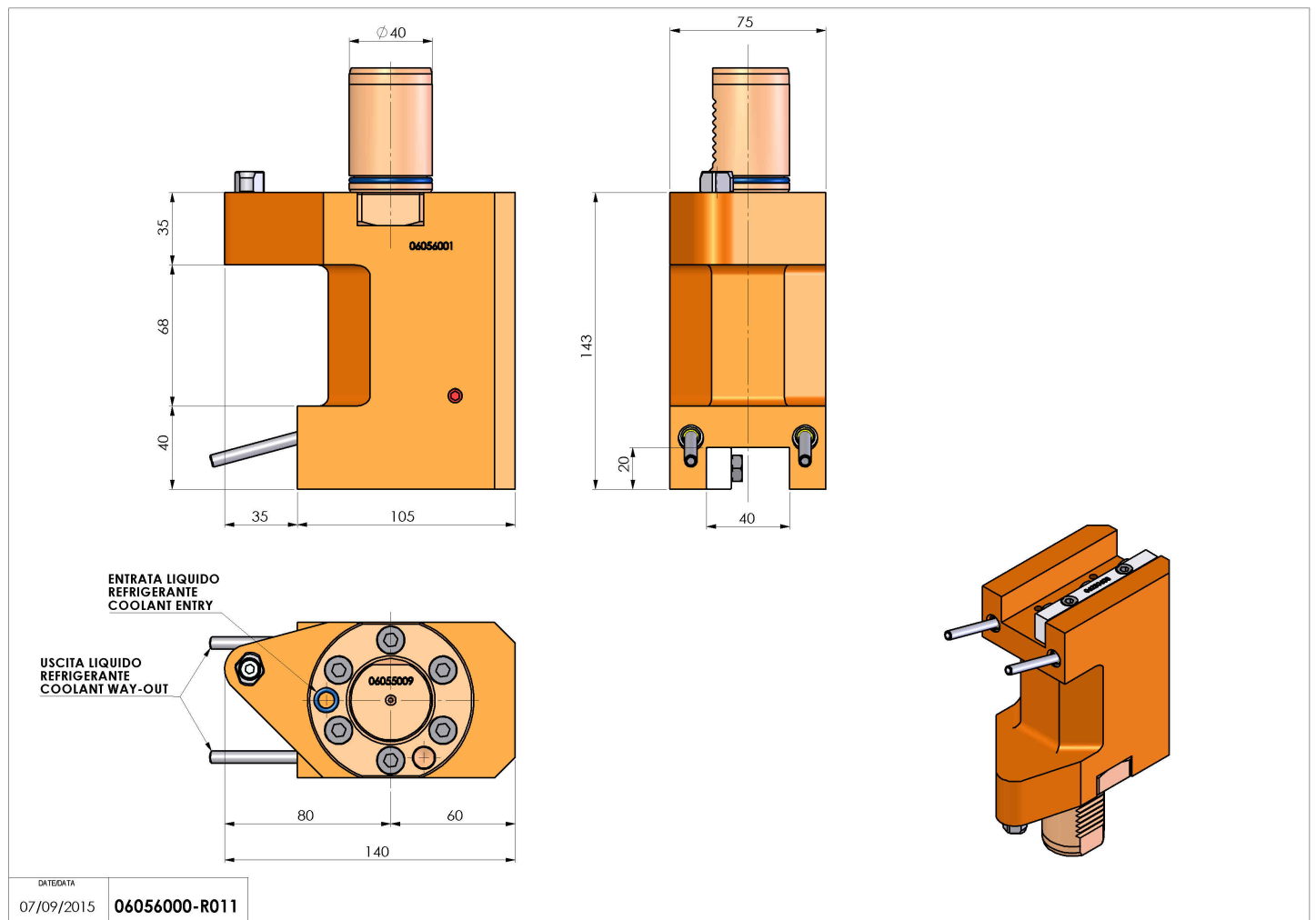
Type	TH-AX Axial Tool holder
Mounting	VDI 40
Tool output	Axial Square Tool Holder 20x20
Coolant	External coolant
H [mm]	143



Accessories	N.A.
Notes	N.A.
Mounting tips	Not suitable for every application, please check

ATTENZIONE: VERIFICARE L'ORIENTAMENTO DELLA DENTATURA VDI

Always check live tool dimensions on the turret



Subject to technical changes

DATE/DATE
07/09/2015 06056000-R011