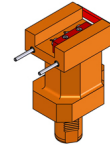


06054700 - TH-AX VDI50 H165 DX-SX MZ

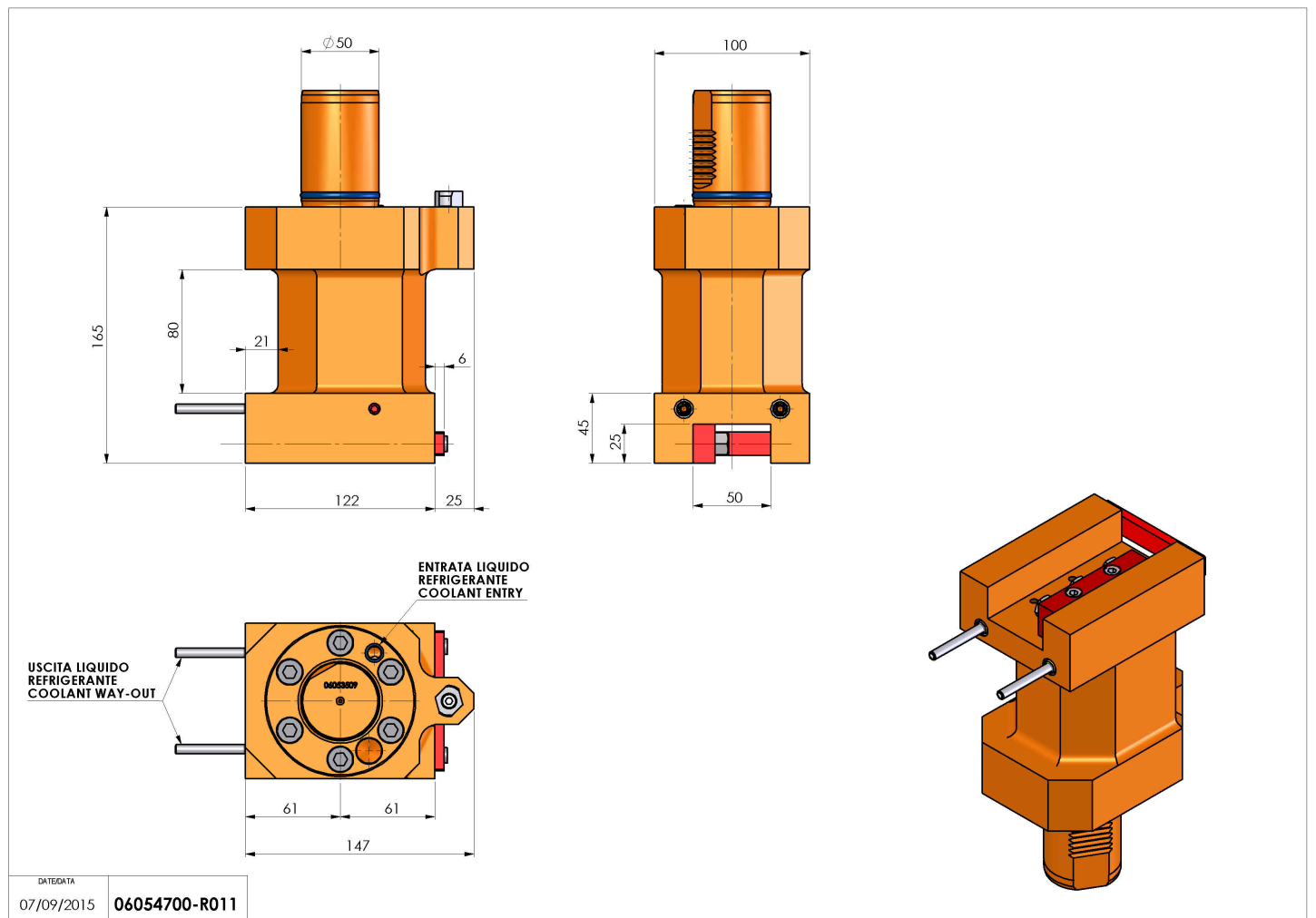
Type	TH-AX Axial Tool holder
Mounting	VDI 50
Tool output	Axial Square Tool Holder 25x25
Coolant	External coolant
H [mm]	165



Accessories	N.A.
Notes	N.A.
Mounting tips	Not suitable for every application, please check

ATTENZIONE: VERIFICARE L'ORIENTAMENTO DELLA DENTATURA VDI

Always check live tool dimensions on the turret



Subject to technical changes