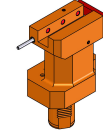


## 06054200 - TH-AX VDI50 H165 SX SPEC MZ

Type	TH-AX Axial Tool holder
Mounting	VDI 50
Tool output	Axial Square Tool Holder 25x25
Coolant	External coolant
H [mm]	165

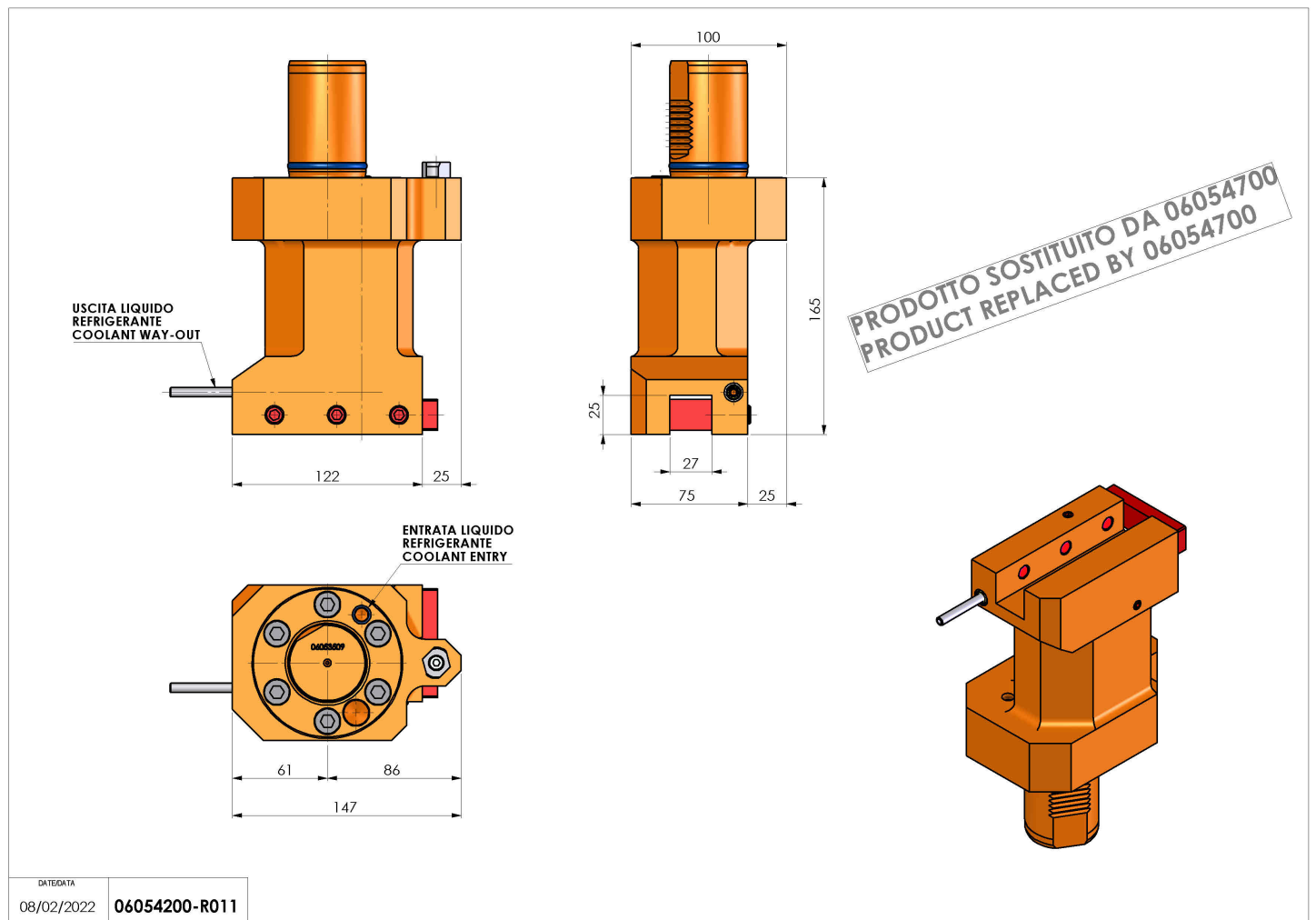


REPLACED BY 06054700

Accessories	N.A.
Notes	No more available.
Mounting tips	Not suitable for every application, please check

**ATTENZIONE: VERIFICARE L'ORIENTAMENTO DELLA DENTATURA VDI**

Always check live tool dimensions on the turret



Subject to technical changes