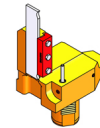


## 06054000 - TH-CUT VDI50 SP5 H145 MZ

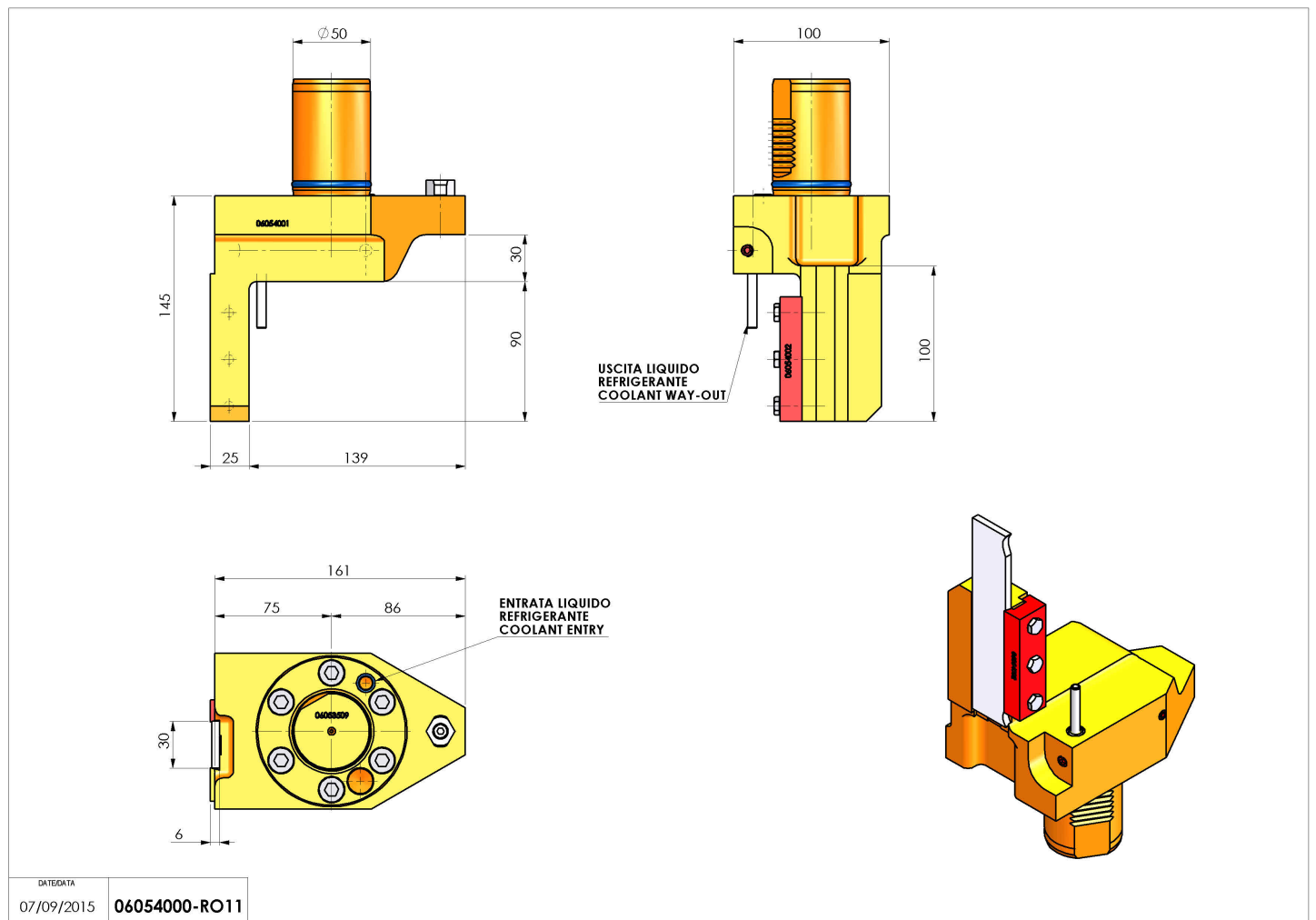
Type	TH-CUT Cutting holder
Mounting	VDI 50
Tool output	Cut Off Holder 32
Coolant	External coolant
H [mm]	145



Accessories	N.A.
Notes	N.A.
Mounting tips	Not suitable for every application, please check

**ATTENZIONE: VERIFICARE L'ORIENTAMENTO DELLA DENTATURA VDI**

Always check live tool dimensions on the turret



DATE/DATE	07/09/2015	06054000-RO11
-----------	------------	---------------

Subject to technical changes