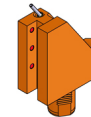


06053600 - TH-RAD SOSTITUITO DA 06054600 TH-RAD VDI50 H160 L86 SX MZ

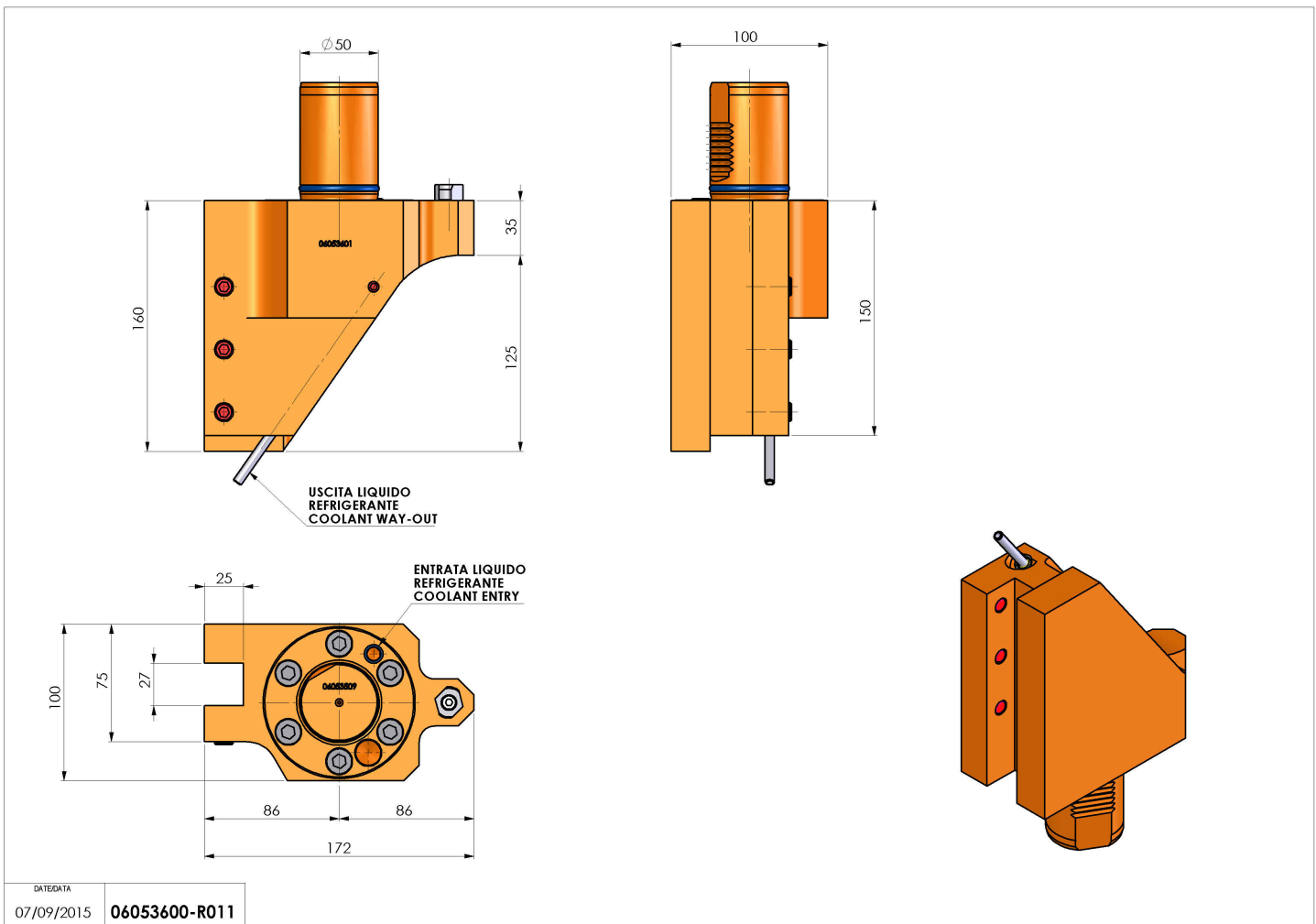
Type	TH-RAD Radial Tool holder
Mounting	VDI 50
Tool output	Radial Square Tool Holder 25x25
Coolant	External coolant
H [mm]	160



Accessories	N.A.
Notes	Replaced by cod. 06054600
Mounting tips	Not suitable for every application, please check

ATTENZIONE: VERIFICARE L'ORIENTAMENTO DELLA DENTATURA VDI

Always check live tool dimensions on the turret



Subject to technical changes