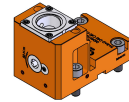


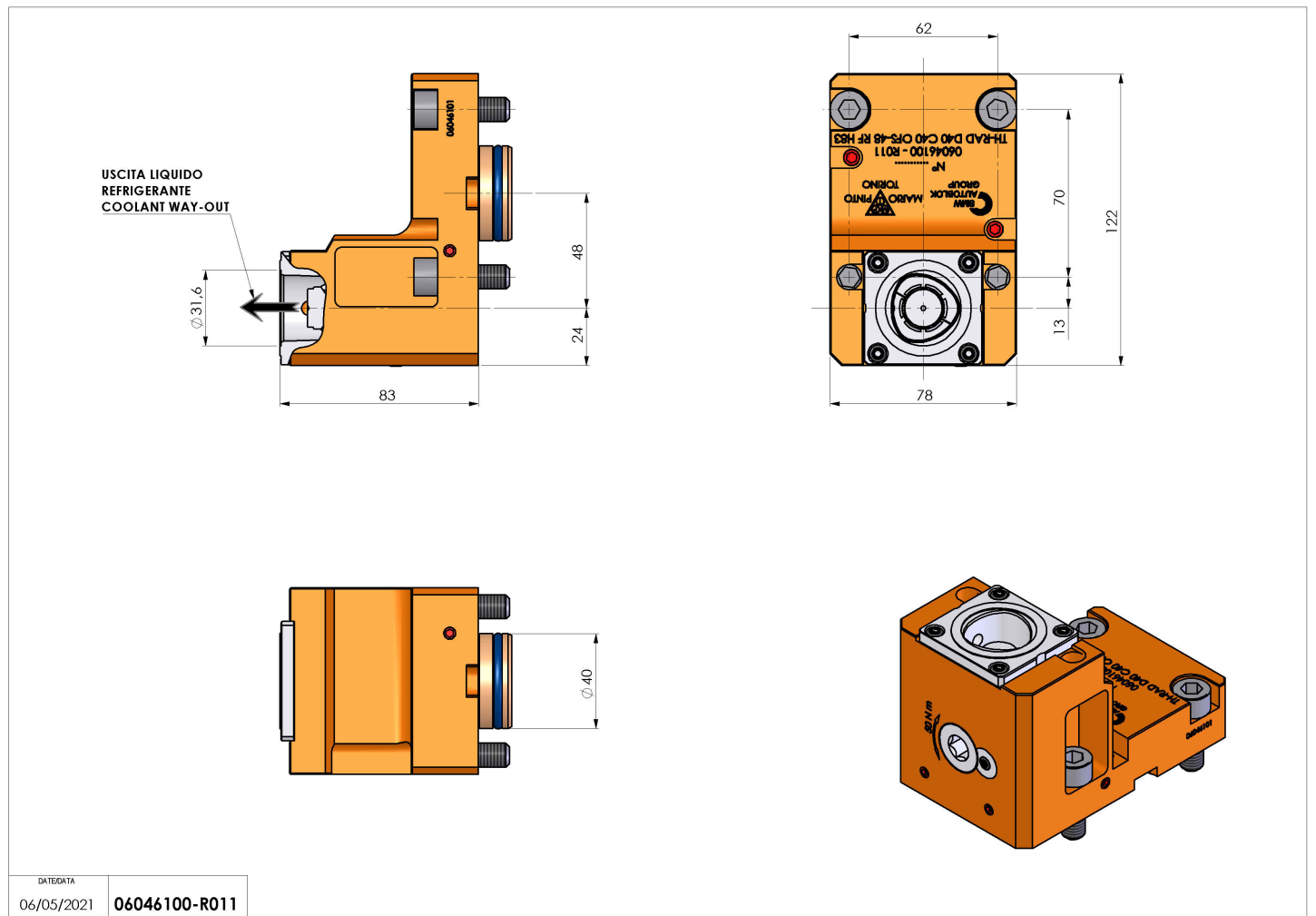
## 06046100 - TH-RAD D40 C40 OFS-48 RF H83

Type	TH-RAD Radial Tool holder
Mounting	CYLINDRICAL SHANK 40
Tool output	Polygonal shank C40 ISO 26623-1
Coolant	Internal coolant
H [mm]	83



Accessories	N.A.
Notes	N.A.
Mounting tips	Not suitable for every application, please check

Always check live tool dimensions on the turret



DATE/DATE	06/05/2021
06046100-R011	

Subject to technical changes