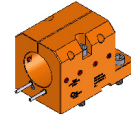


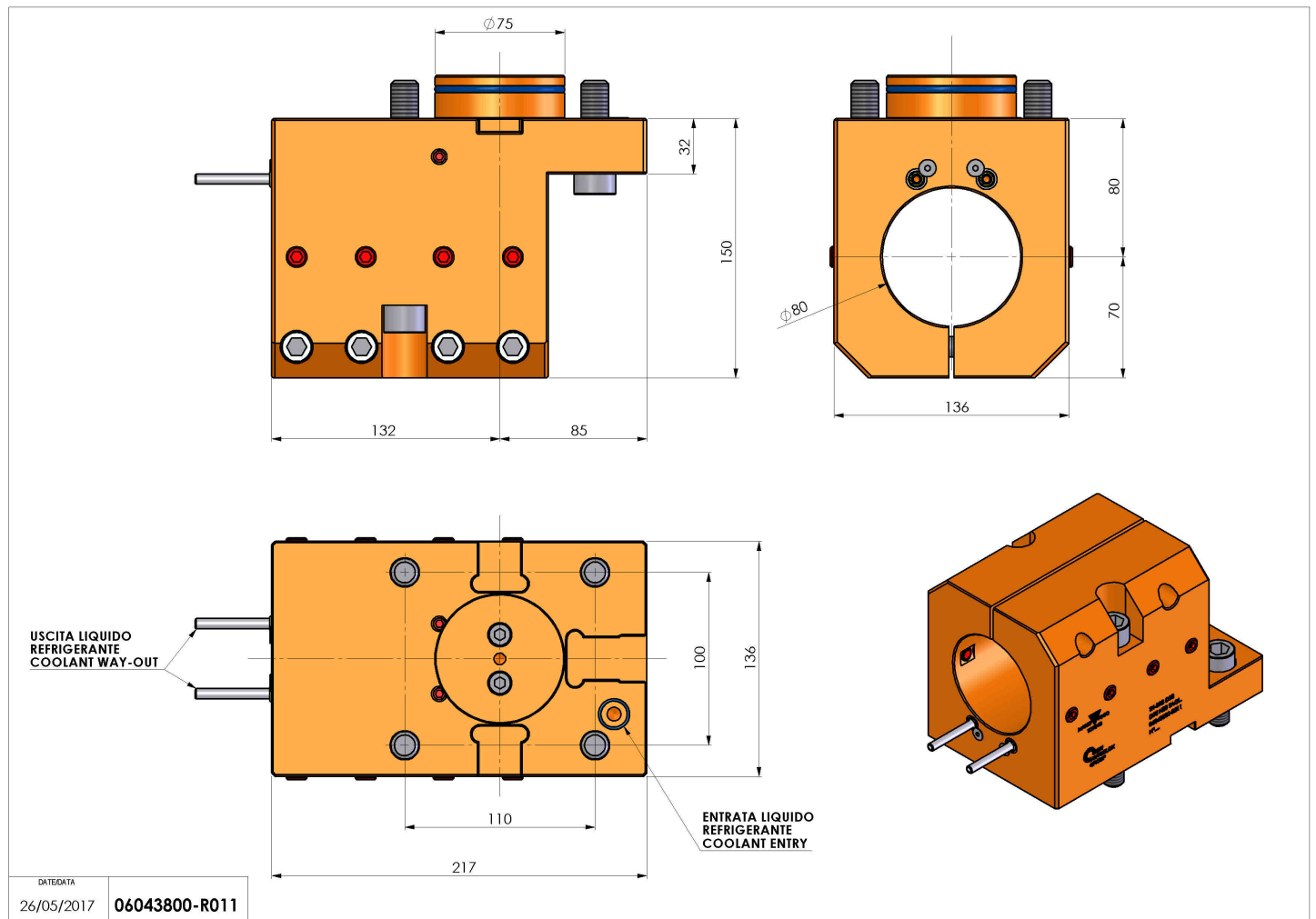
## 06043800 - TH-BRB D75 D80 H80 TAGL

<b>Type</b>	TH-BRB Boring bar holder
<b>Mounting</b>	CYLINDRICAL SHANK 75
<b>Tool output</b>	Boring Bar Holder 80
<b>Coolant</b>	External coolant
<b>H [mm]</b>	80



<b>Accessories</b>	N.A.
<b>Notes</b>	N.A.
<b>Mounting tips</b>	Not suitable for every application, please check

Always check live tool dimensions on the turret



Subject to technical changes