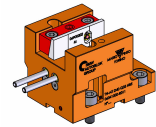


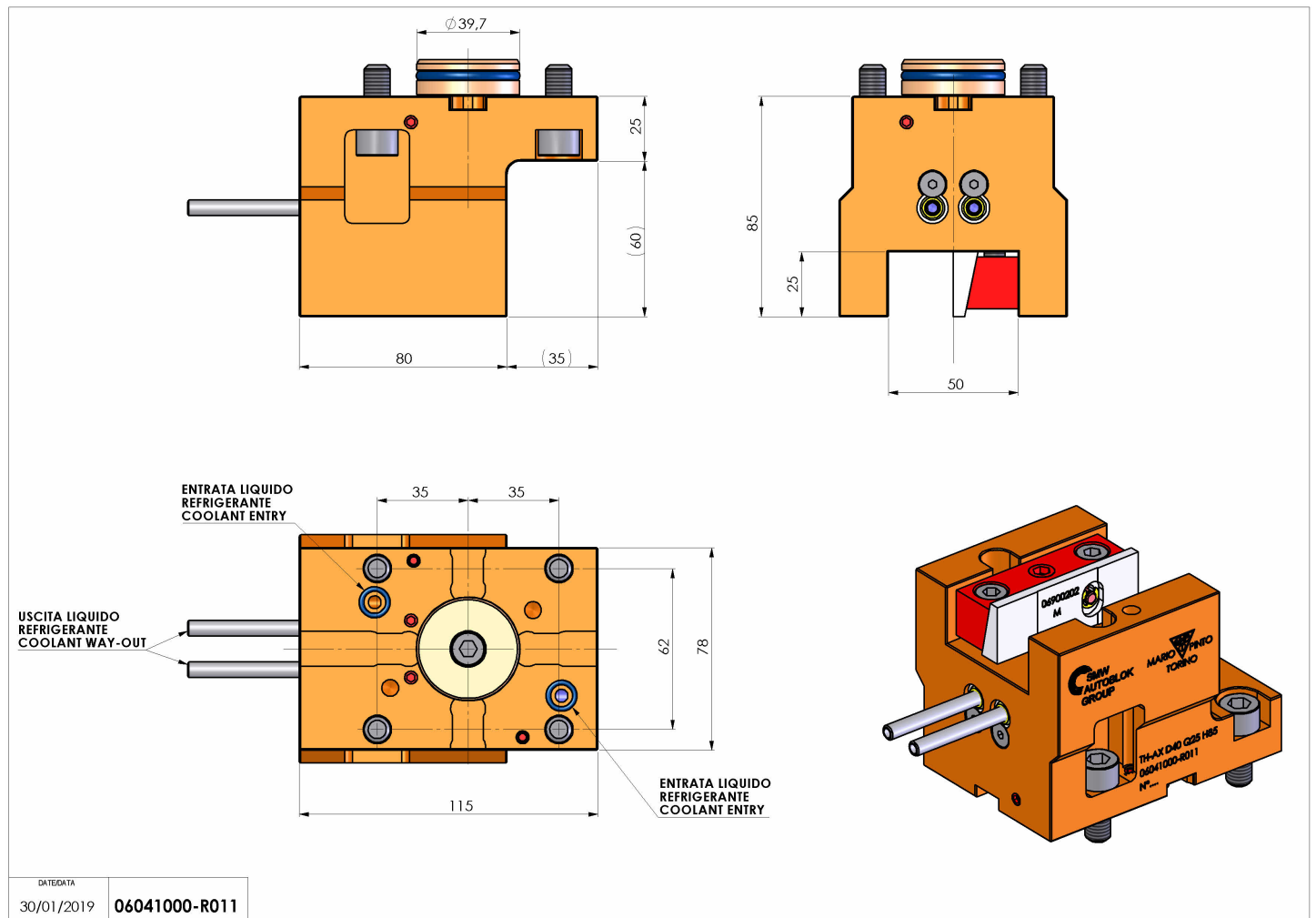
06041000 - TH-AX D40 Q25 H85

Type	TH-AX Axial Tool holder
Mounting	CYLINDRICAL SHANK 40
Tool output	Axial Square Tool Holder 25x25
Coolant	External coolant
H [mm]	85



Accessories	N.A.
Notes	N.A.
Mounting tips	Not suitable for every application, please check

Always check live tool dimensions on the turret



DATE/DATE	30/01/2019	06041000-R011
-----------	------------	---------------

Subject to technical changes