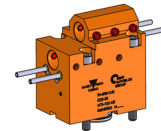


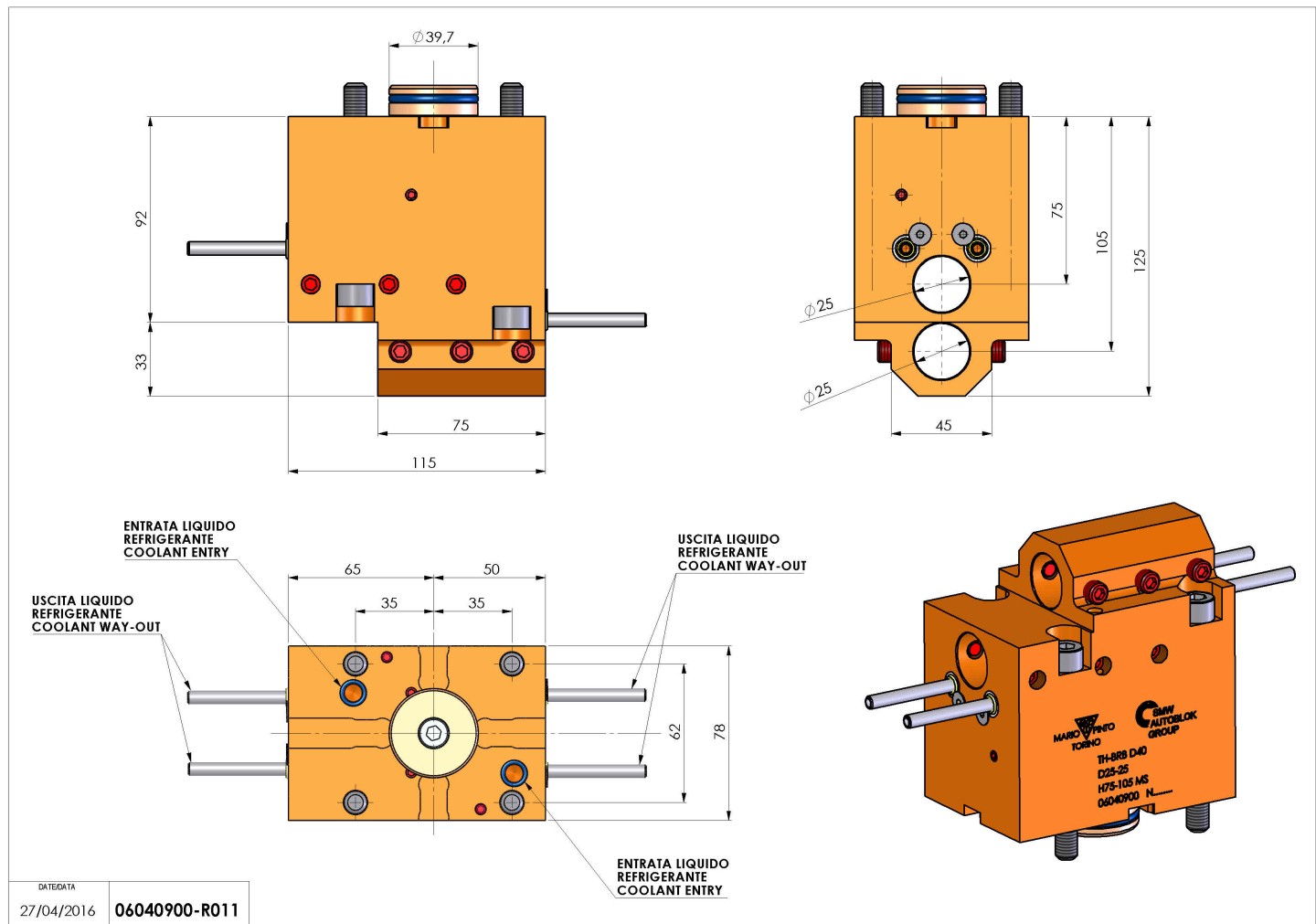
# 06040900 - TH-BRB D40 D25-25 H75-105 MS

<b>Type</b>	TH-BRB Boring bar holder
<b>Mounting</b>	CYLINDRICAL SHANK 40
<b>Tool output</b>	Boring Bar Holder 25
<b>Coolant</b>	External coolant
<b>H [mm]</b>	75-105



<b>Accessories</b>	N.A.
<b>Notes</b>	N.A.
<b>Mounting tips</b>	Not suitable for every application, please check

Always check live tool dimensions on the turret



DATE/DATE	27/04/2016
PART NUMBER	06040900-R011

Subject to technical changes