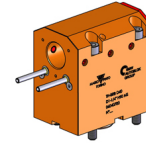


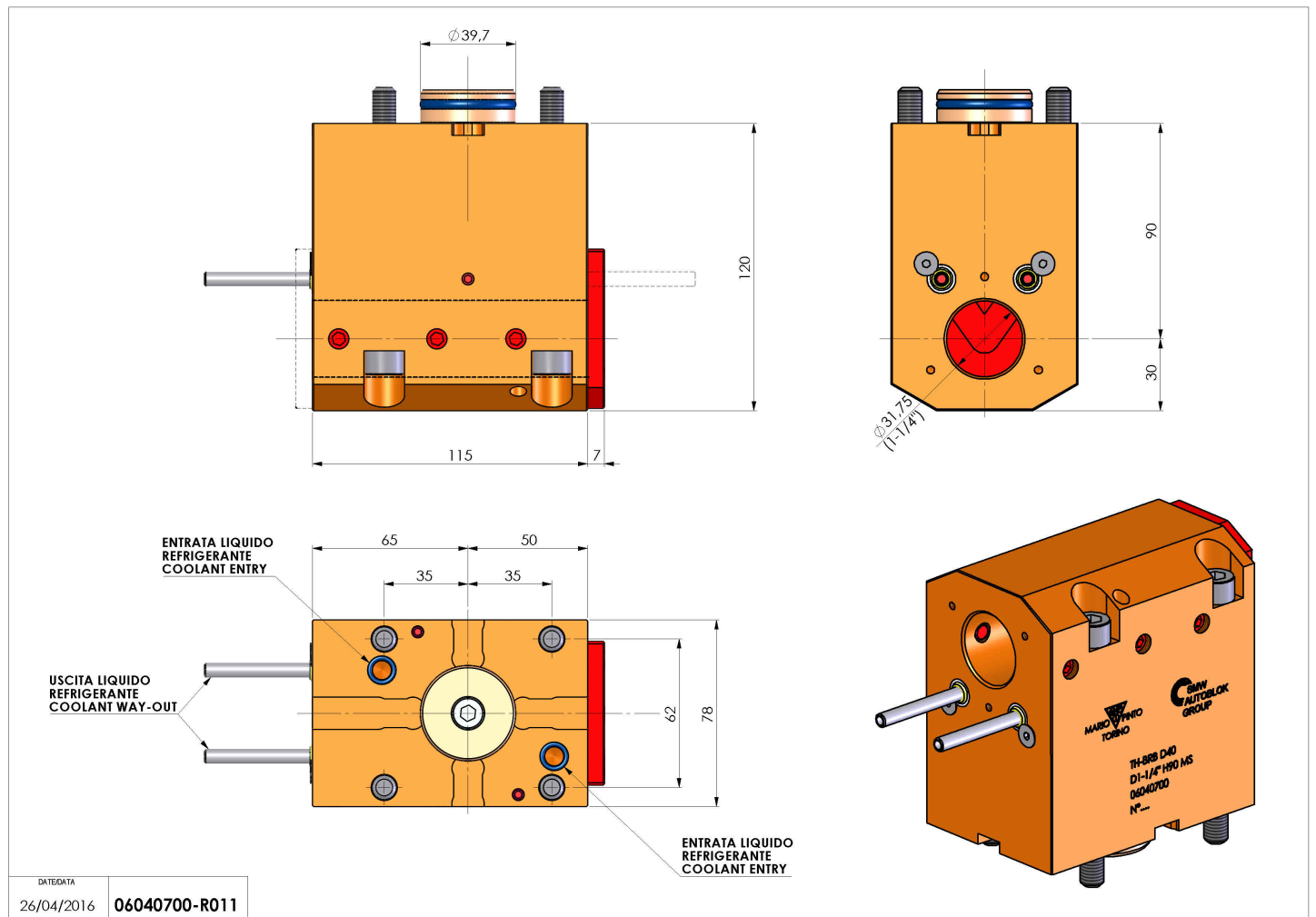
## 06040700 - TH-BRB D40 D1-1/4" H90 MS

|             |                             |
|-------------|-----------------------------|
| Type        | TH-BRB<br>Boring bar holder |
| Mounting    | CYLINDRICAL SHANK 40        |
| Tool output | Boring Bar Holder 1-1/4"    |
| Coolant     | External / Internal coolant |
| H [mm]      | 90                          |



|               |  |
|---------------|--|
| Accessories   | N.A.   |
| Notes         | N.A.   |
| Mounting tips | Not suitable for every application, please check |

Always check live tool dimensions on the turret



Subject to technical changes