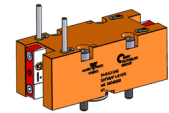


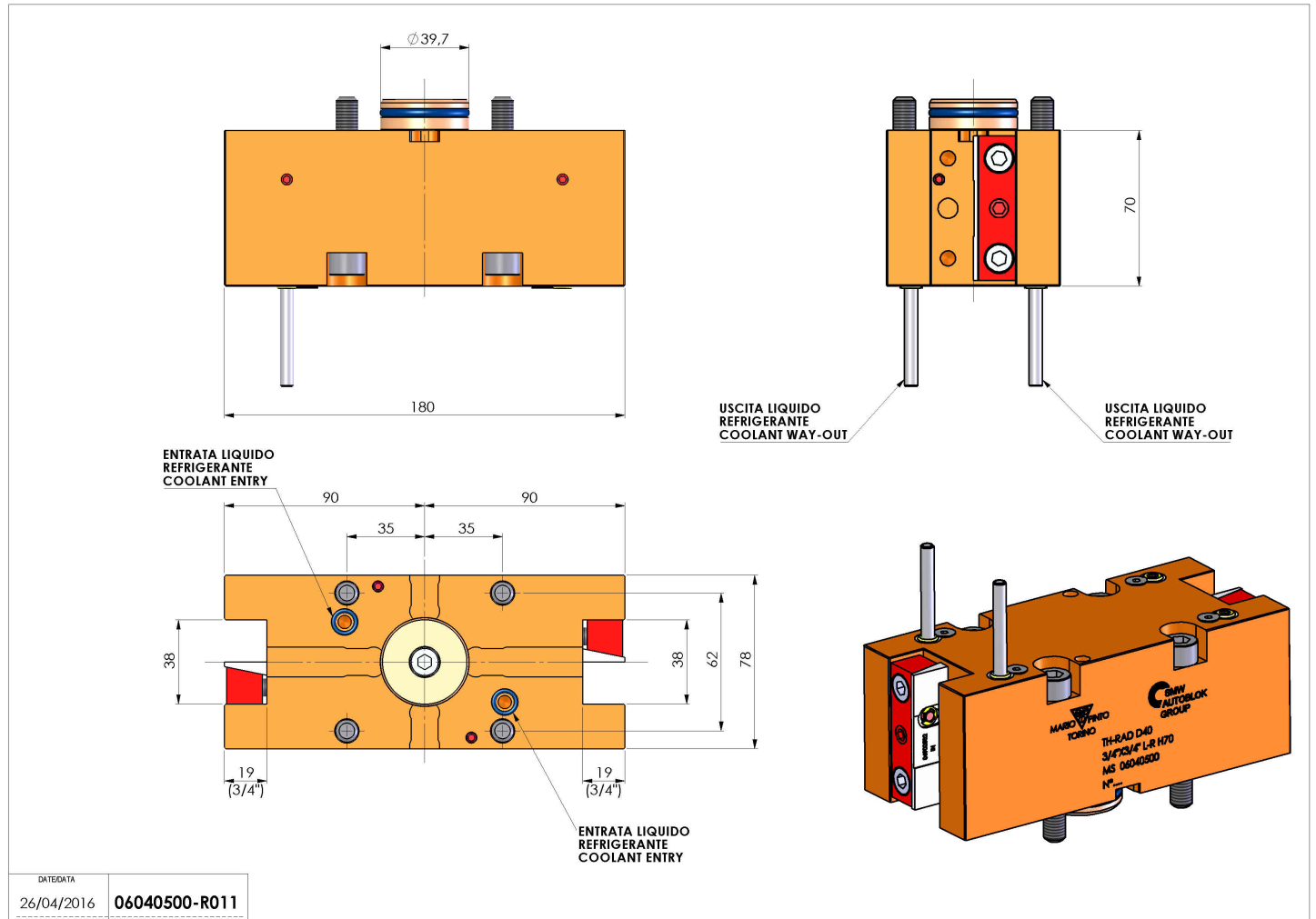
## 06040500 - TH-RAD D40 3/4"X3/4" L-R H70MS

<b>Type</b>	TH-RAD Radial Tool holder
<b>Mounting</b>	CYLINDRICAL SHANK 40
<b>Tool output</b>	Radial Square Tool Holder 3/4" x 3/4"
<b>Coolant</b>	External coolant
<b>H [mm]</b>	70



<b>Accessories</b>	N.A.
<b>Notes</b>	N.A.
<b>Mounting tips</b>	Not suitable for every application, please check

Always check live tool dimensions on the turret



DATE/DATE	26/04/2016
PART NUMBER	06040500-R011

Subject to technical changes