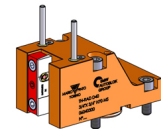


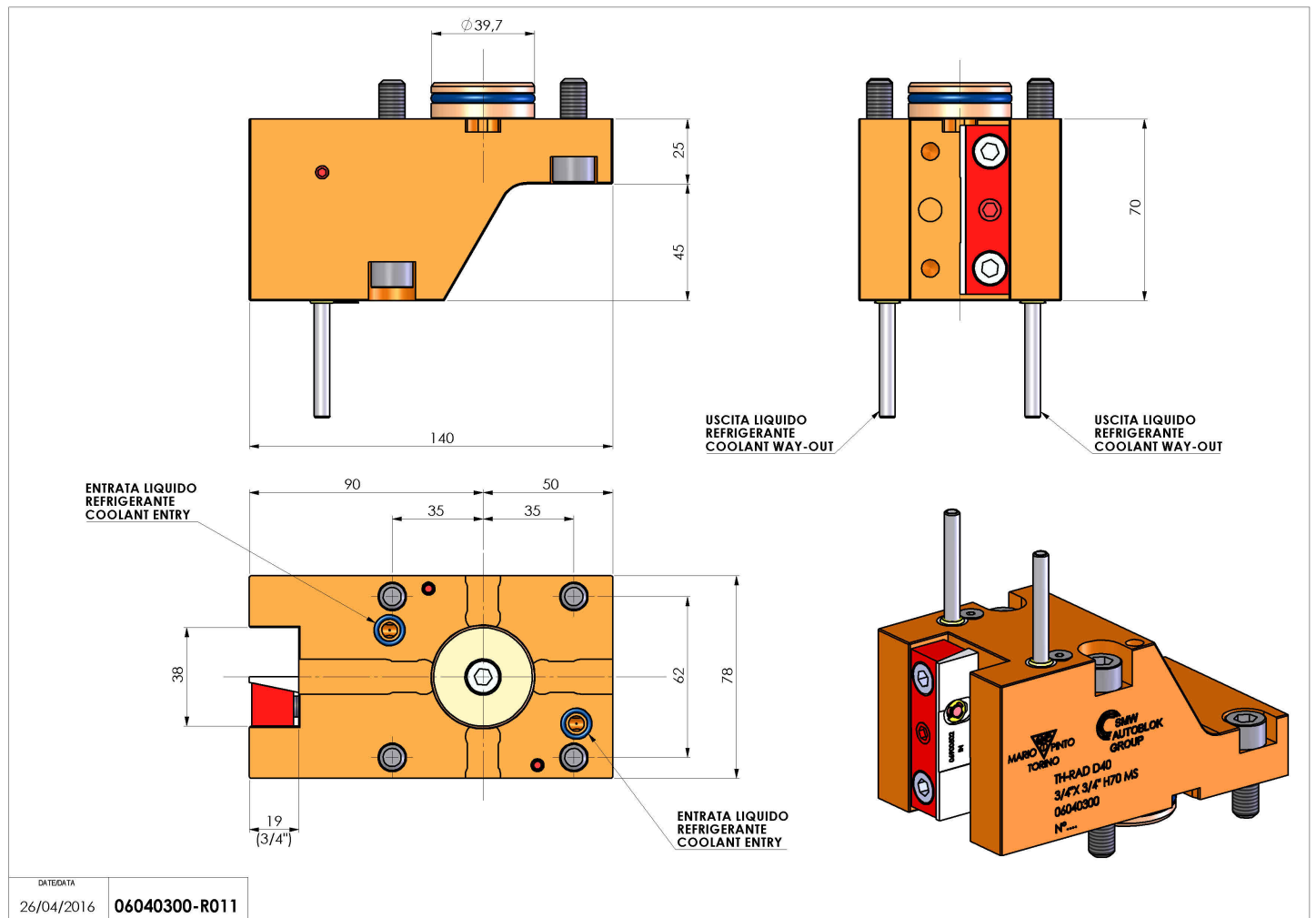
# 06040300 - TH-RAD D40 3/4"X3/4" H70 MS

Type	TH-RAD Radial Tool holder
Mounting	CYLINDRICAL SHANK 40
Tool output	Radial Square Tool Holder 3/4" x 3/4"
Coolant	External coolant
H [mm]	70



Accessories	N.A.
Notes	N.A.
Mounting tips	Not suitable for every application, please check

Always check live tool dimensions on the turret



DATE/DATE	26/04/2016	06040300-R011
-----------	------------	---------------

Subject to technical changes