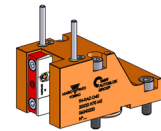
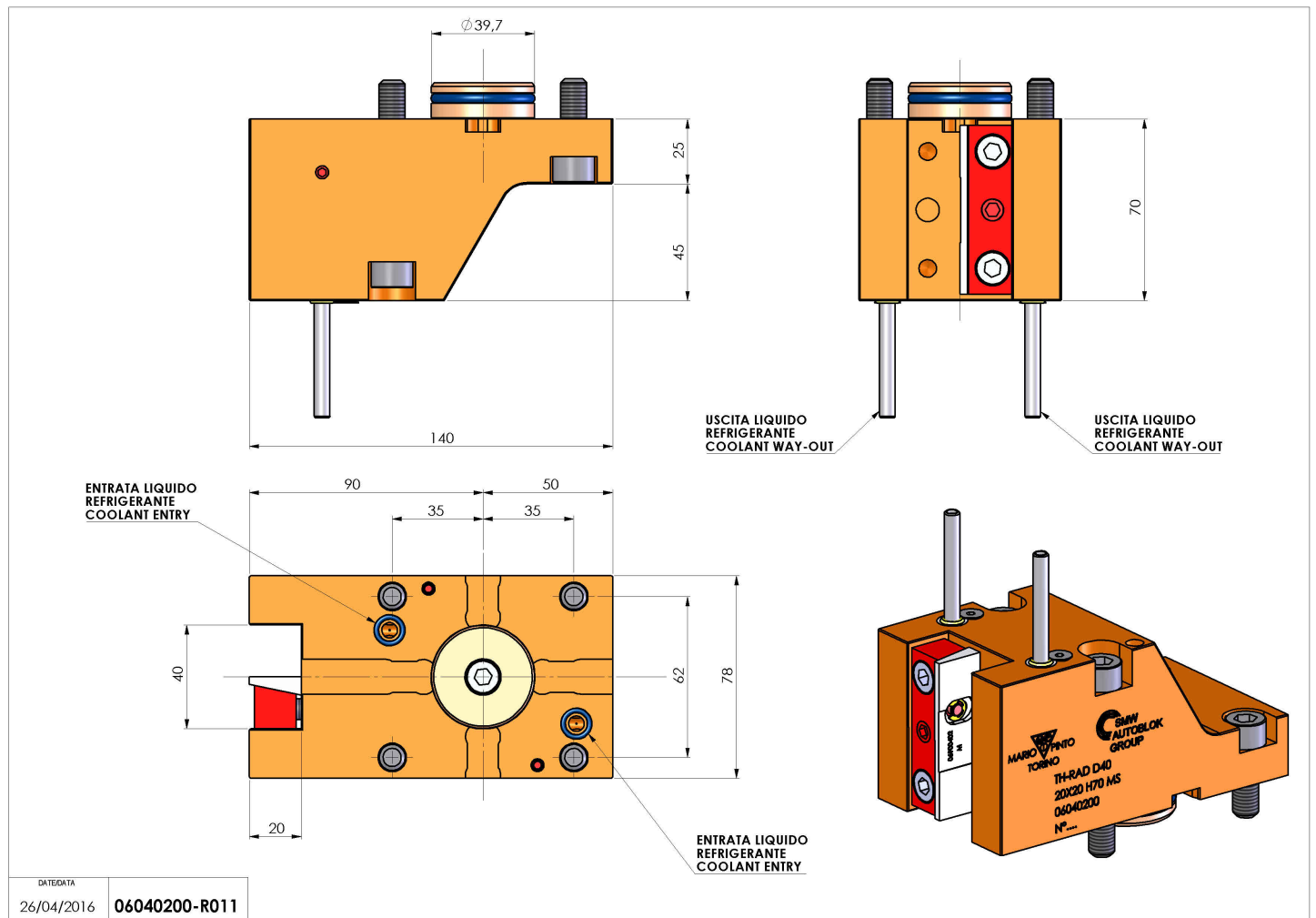


## 06040200 - TH-RAD D40 20X20 H70 MS

<b>Type</b>	TH-RAD Radial Tool holder
<b>Mounting</b>	CYLINDRICAL SHANK 40
<b>Tool output</b>	Radial Square Tool Holder 20x20
<b>Coolant</b>	External coolant
<b>H [mm]</b>	70
<b>Accessories</b>	N.A.
<b>Notes</b>	N.A.
<b>Mounting tips</b>	Not suitable for every application, please check



Always check live tool dimensions on the turret



Subject to technical changes