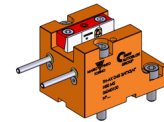


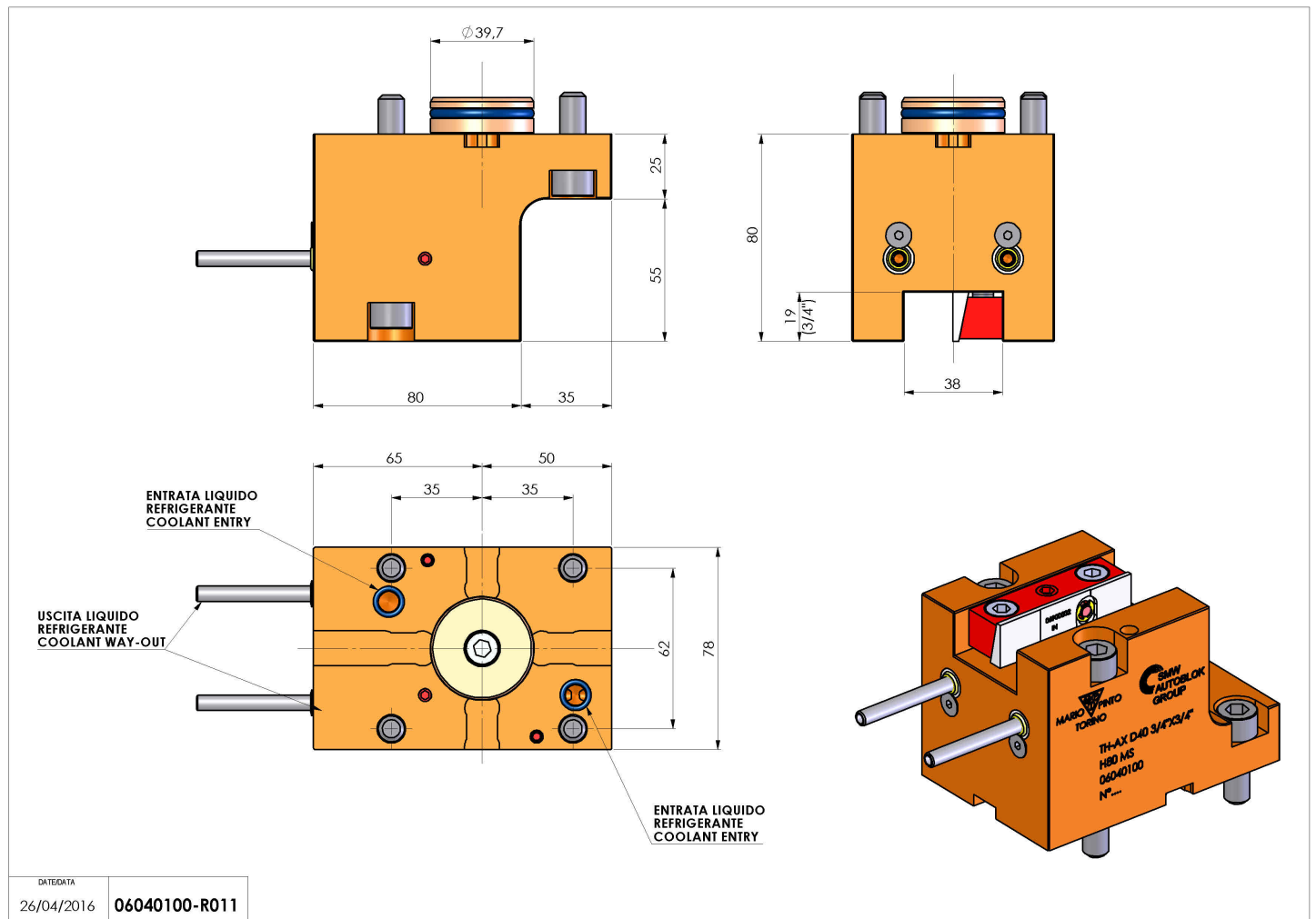
06040100 - TH-AX D40 3/4"X3/4" H80 MS

Type	TH-AX Axial Tool holder
Mounting	CYLINDRICAL SHANK 40
Tool output	Axial Square Tool Holder 3/4" x 3/4"
Coolant	External coolant
H [mm]	80



Accessories	N.A.
Notes	N.A.
Mounting tips	Not suitable for every application, please check

Always check live tool dimensions on the turret



DATE/DATE	26/04/2016	06040100-R011
-----------	------------	---------------

Subject to technical changes