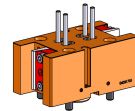


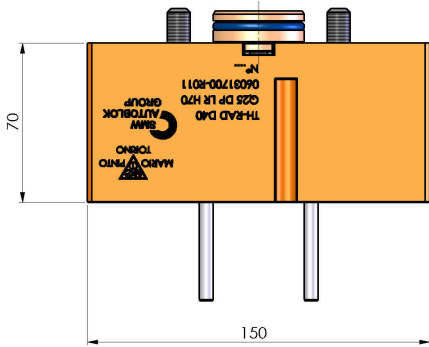
# 06031700 - TH-RAD D40 Q25 DP LR H70

<b>Type</b>	TH-RAD Radial Tool holder
<b>Mounting</b>	CYLINDRICAL SHANK 40
<b>Tool output</b>	Axial Square Tool Holder 25x25
<b>Coolant</b>	External coolant
<b>H [mm]</b>	70

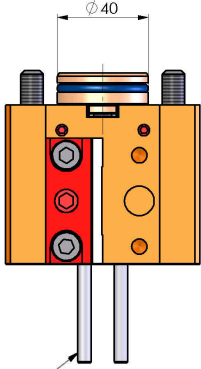


<b>Accessories</b>	N.A.
<b>Notes</b>	N.A.
<b>Mounting tips</b>	Not suitable for every application, please check

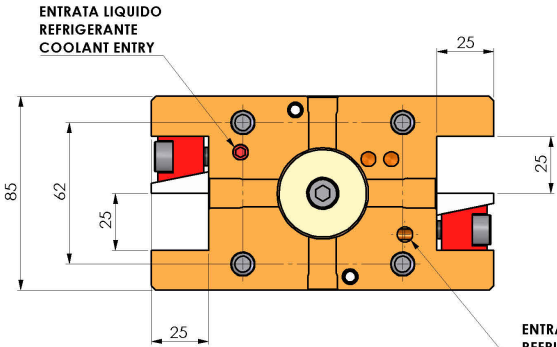
Always check live tool dimensions on the turret



70  
150




Ø40

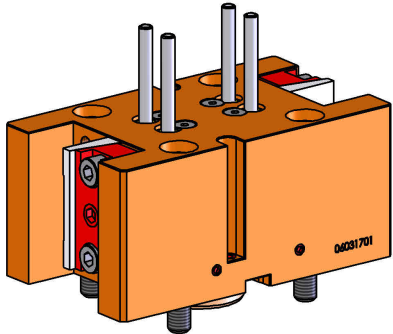


ENTRATA LIQUIDO  
REFRIGERANTE  
COOLANT ENTRY

25  
62  
85  
25  
25



USCITA LIQUIDO  
REFRIGERANTE  
COOLANT WAY-OUT



06031701

DATE/DATE	18/03/2022	<b>06031700-R011</b>
-----------	------------	----------------------

**Subject to technical changes**