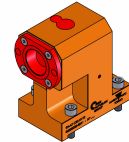
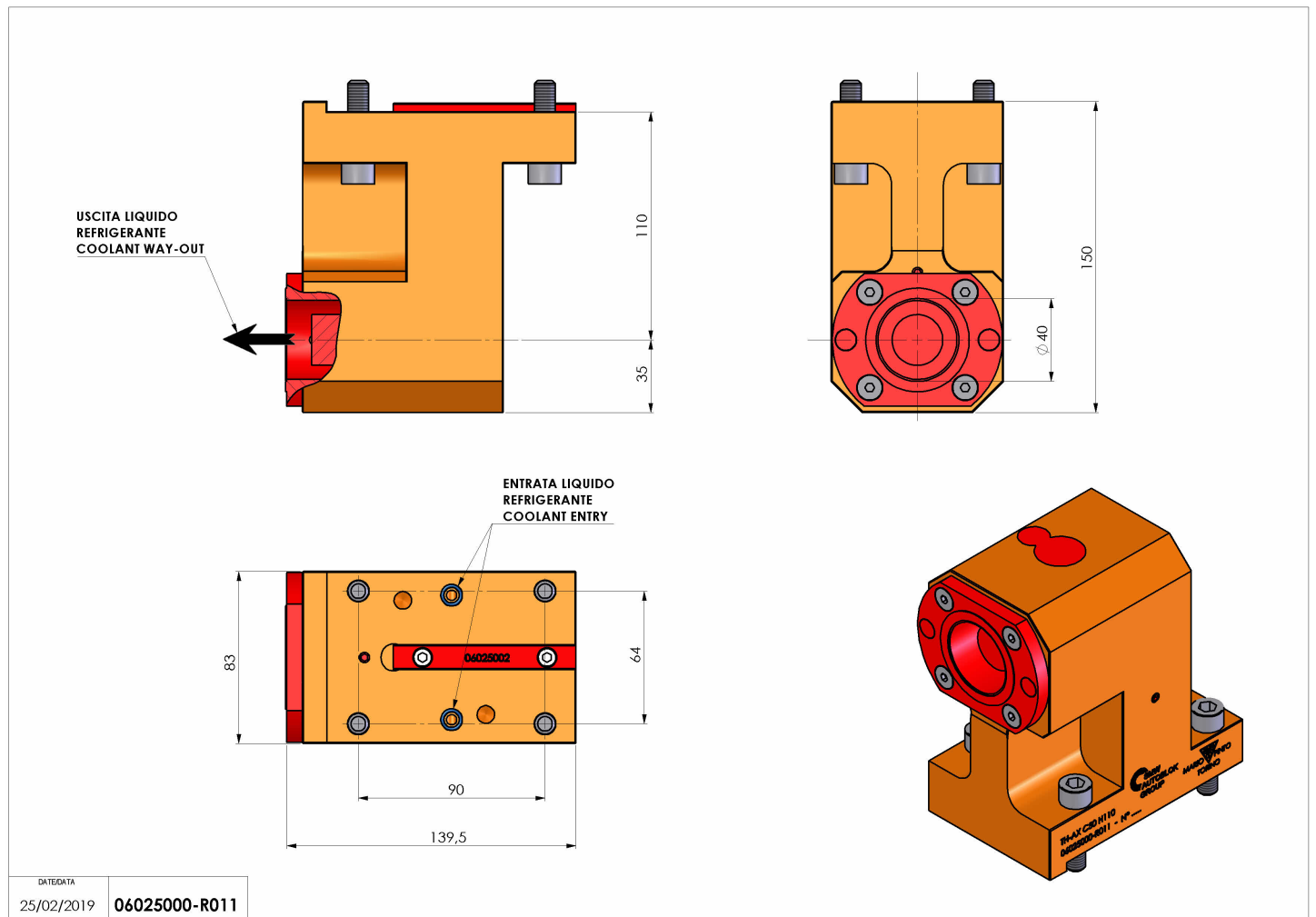


06025000 - TH-AX C50 H110

Type	TH-BRB Boring bar holder
Mounting	TAKAMAZ FIXING ATTACK
Tool output	Polygonal shank C50 ISO 26623-1
Coolant	External / Internal coolant
H [mm]	110
Accessories	N.A.
Notes	N.A.
Mounting tips	Not suitable for every application, please check



Always check live tool dimensions on the turret



Subject to technical changes

DATE/DATE	06025000-R011
25/02/2019	